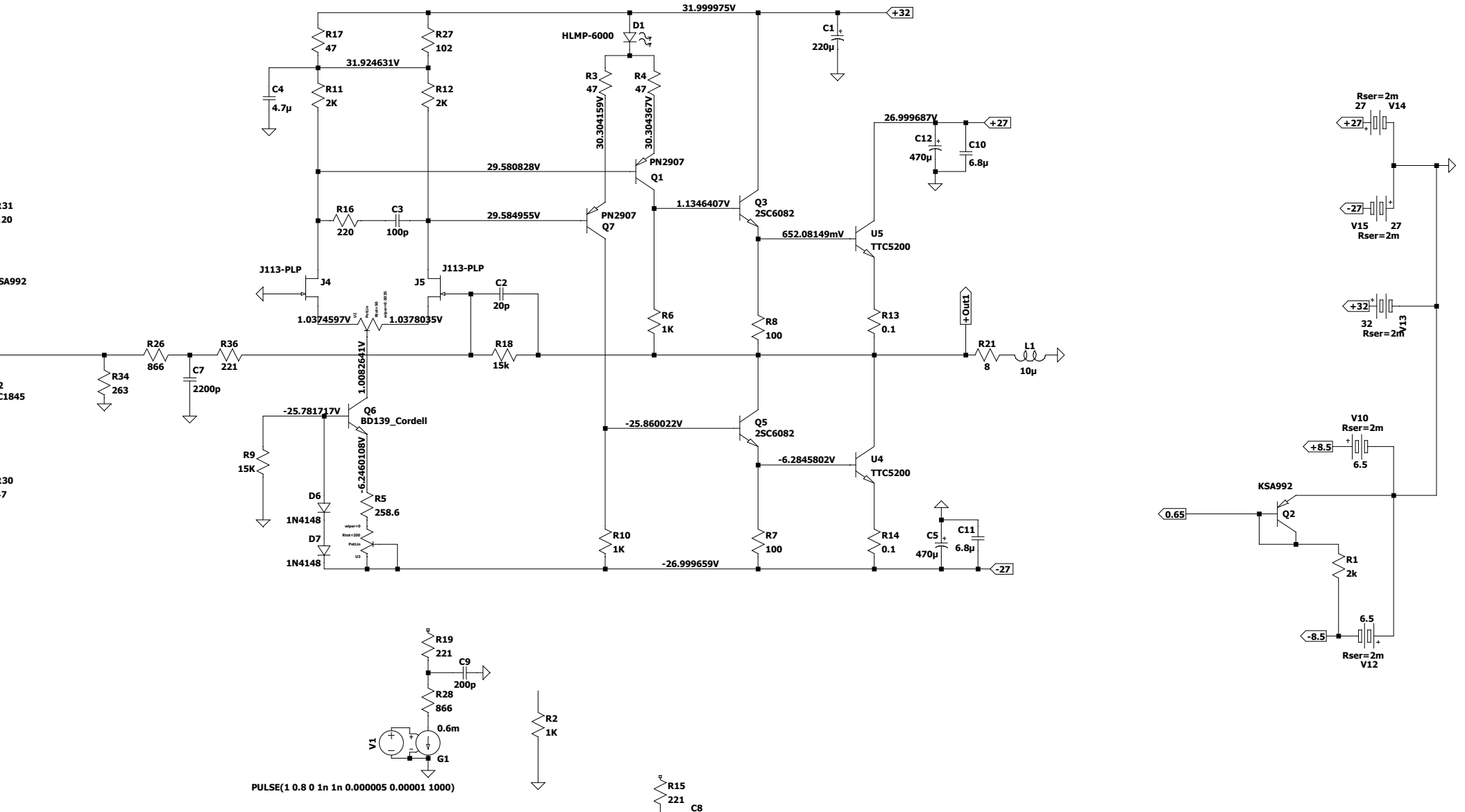


~~NTCLE100E3221GB0~~
~~20° 268~~
~~35° 150~~
~~40° 125~~
 NTCLE100E3151JB0
 20° 150
 35° 102.6
 40° 85.5
 45° 71

150mA
 24Vc = 0.00059 %
 15Vc = 0.00045 %
 5Vc = 0.00033 %



PULSE(1 0.8 0 1n 1n 0.000005 0.00001 1000)