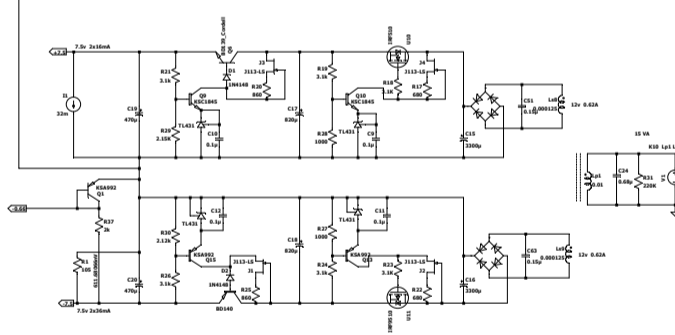
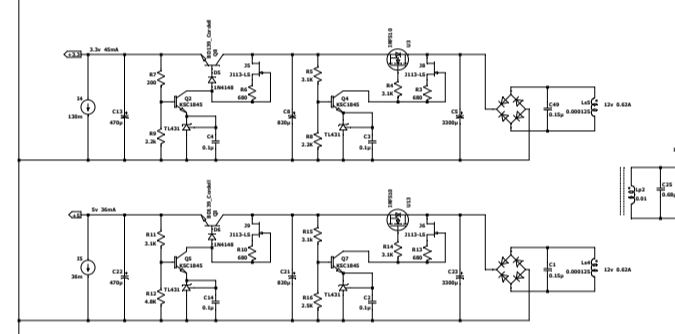
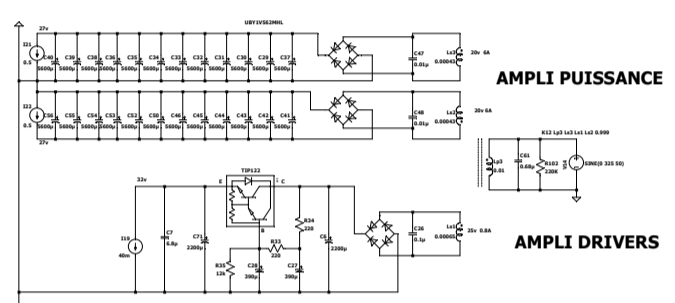
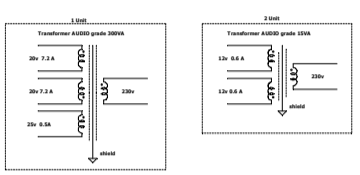


100mV/20ms  
 Trace 1: 20V (V+ to V-)  
 Trace 2: 20V (V- to V+)  
 Trace 3: 20V (V+ to V-)  
 Trace 4: 20V (V- to V+)  
 Trace 5: 20V (V+ to V-)  
 Trace 6: 20V (V- to V+)  
 Trace 7: 20V (V+ to V-)  
 Trace 8: 20V (V- to V+)  
 Trace 9: 20V (V+ to V-)  
 Trace 10: 20V (V- to V+)  
 Trace 11: 20V (V+ to V-)  
 Trace 12: 20V (V- to V+)  
 Trace 13: 20V (V+ to V-)  
 Trace 14: 20V (V- to V+)  
 Trace 15: 20V (V+ to V-)  
 Trace 16: 20V (V- to V+)  
 Trace 17: 20V (V+ to V-)  
 Trace 18: 20V (V- to V+)  
 Trace 19: 20V (V+ to V-)  
 Trace 20: 20V (V- to V+)  
 Trace 21: 20V (V+ to V-)  
 Trace 22: 20V (V- to V+)  
 Trace 23: 20V (V+ to V-)  
 Trace 24: 20V (V- to V+)  
 Trace 25: 20V (V+ to V-)  
 Trace 26: 20V (V- to V+)  
 Trace 27: 20V (V+ to V-)  
 Trace 28: 20V (V- to V+)  
 Trace 29: 20V (V+ to V-)  
 Trace 30: 20V (V- to V+)  
 Trace 31: 20V (V+ to V-)  
 Trace 32: 20V (V- to V+)  
 Trace 33: 20V (V+ to V-)  
 Trace 34: 20V (V- to V+)  
 Trace 35: 20V (V+ to V-)  
 Trace 36: 20V (V- to V+)  
 Trace 37: 20V (V+ to V-)  
 Trace 38: 20V (V- to V+)  
 Trace 39: 20V (V+ to V-)  
 Trace 40: 20V (V- to V+)  
 Trace 41: 20V (V+ to V-)  
 Trace 42: 20V (V- to V+)  
 Trace 43: 20V (V+ to V-)  
 Trace 44: 20V (V- to V+)  
 Trace 45: 20V (V+ to V-)  
 Trace 46: 20V (V- to V+)  
 Trace 47: 20V (V+ to V-)  
 Trace 48: 20V (V- to V+)  
 Trace 49: 20V (V+ to V-)  
 Trace 50: 20V (V- to V+)  
 Trace 51: 20V (V+ to V-)  
 Trace 52: 20V (V- to V+)  
 Trace 53: 20V (V+ to V-)  
 Trace 54: 20V (V- to V+)  
 Trace 55: 20V (V+ to V-)  
 Trace 56: 20V (V- to V+)  
 Trace 57: 20V (V+ to V-)  
 Trace 58: 20V (V- to V+)  
 Trace 59: 20V (V+ to V-)  
 Trace 60: 20V (V- to V+)  
 Trace 61: 20V (V+ to V-)  
 Trace 62: 20V (V- to V+)  
 Trace 63: 20V (V+ to V-)  
 Trace 64: 20V (V- to V+)  
 Trace 65: 20V (V+ to V-)  
 Trace 66: 20V (V- to V+)  
 Trace 67: 20V (V+ to V-)  
 Trace 68: 20V (V- to V+)  
 Trace 69: 20V (V+ to V-)  
 Trace 70: 20V (V- to V+)  
 Trace 71: 20V (V+ to V-)  
 Trace 72: 20V (V- to V+)  
 Trace 73: 20V (V+ to V-)  
 Trace 74: 20V (V- to V+)  
 Trace 75: 20V (V+ to V-)  
 Trace 76: 20V (V- to V+)  
 Trace 77: 20V (V+ to V-)  
 Trace 78: 20V (V- to V+)  
 Trace 79: 20V (V+ to V-)  
 Trace 80: 20V (V- to V+)  
 Trace 81: 20V (V+ to V-)  
 Trace 82: 20V (V- to V+)  
 Trace 83: 20V (V+ to V-)  
 Trace 84: 20V (V- to V+)  
 Trace 85: 20V (V+ to V-)  
 Trace 86: 20V (V- to V+)  
 Trace 87: 20V (V+ to V-)  
 Trace 88: 20V (V- to V+)  
 Trace 89: 20V (V+ to V-)  
 Trace 90: 20V (V- to V+)  
 Trace 91: 20V (V+ to V-)  
 Trace 92: 20V (V- to V+)  
 Trace 93: 20V (V+ to V-)  
 Trace 94: 20V (V- to V+)  
 Trace 95: 20V (V+ to V-)  
 Trace 96: 20V (V- to V+)  
 Trace 97: 20V (V+ to V-)  
 Trace 98: 20V (V- to V+)  
 Trace 99: 20V (V+ to V-)  
 Trace 100: 20V (V- to V+)



PCM1794 . 5V & 3.3V

DAC