

DRAWING NUMBER ISSUE

S-B366AS-05

BSS HARMAN INTERNATIONAL INDUSTRIES LIMITED
 CRANBORNE HOUSE
 CRANBORNE ROAD
 POTTERS BAR
 HERTS
 EN6 3JN
 BSS Audio. Tel 01707 660667
 Fax 01707 660755

TITLE: POWER SUPPLY

SHEET 1 OF 10

FILENAME: S-B366AS-05.SCH

DRAWN: AW

DATE: 26-02-99

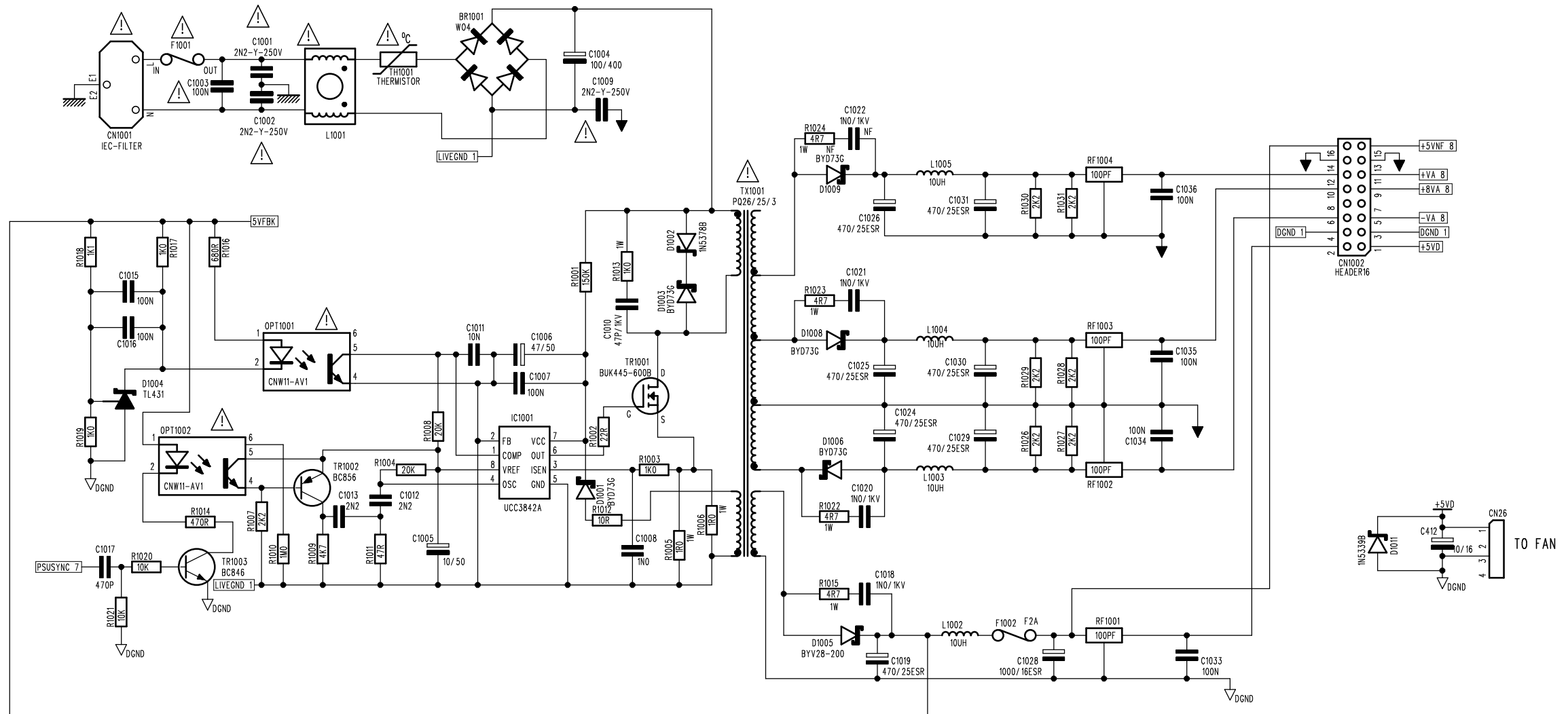
CHECKED:

MATERIAL:

FINISH:

ISSUE COMMENTS:

1. PRE-PRODUCTION RELEASE 26-02-99
2. PROTOTYPE ONLY 01-06-99
3. ECN0171 PRODUCTION RELEASE 10-6-99
4. ECN0270 05/01/00
- 4A. ECN0485 23/04/01
- 4B. ECN0548 15/01/02
5. ECN0687 24/09/03



⚠ ANY COMPONENT BEARING THIS MARK IS SAFETY CRITICAL PLEASE REFER TO SERVICE MANUAL

DRAWING NUMBER ISSUE

S-B366AS-05



HARMAN INTERNATIONAL INDUSTRIES LIMITED
CRANBORNE HOUSE
CRANBORNE ROAD
POTTERS BAR
HERTS
EN6 3JN
Tel 01707 660667
Fax 01707 660755

BSS Audio.

TITLE: OUTPUTS 1-4

SHEET 2 OF 10

FILENAME: S-B366AS-05.SCH

DRAWN: AW

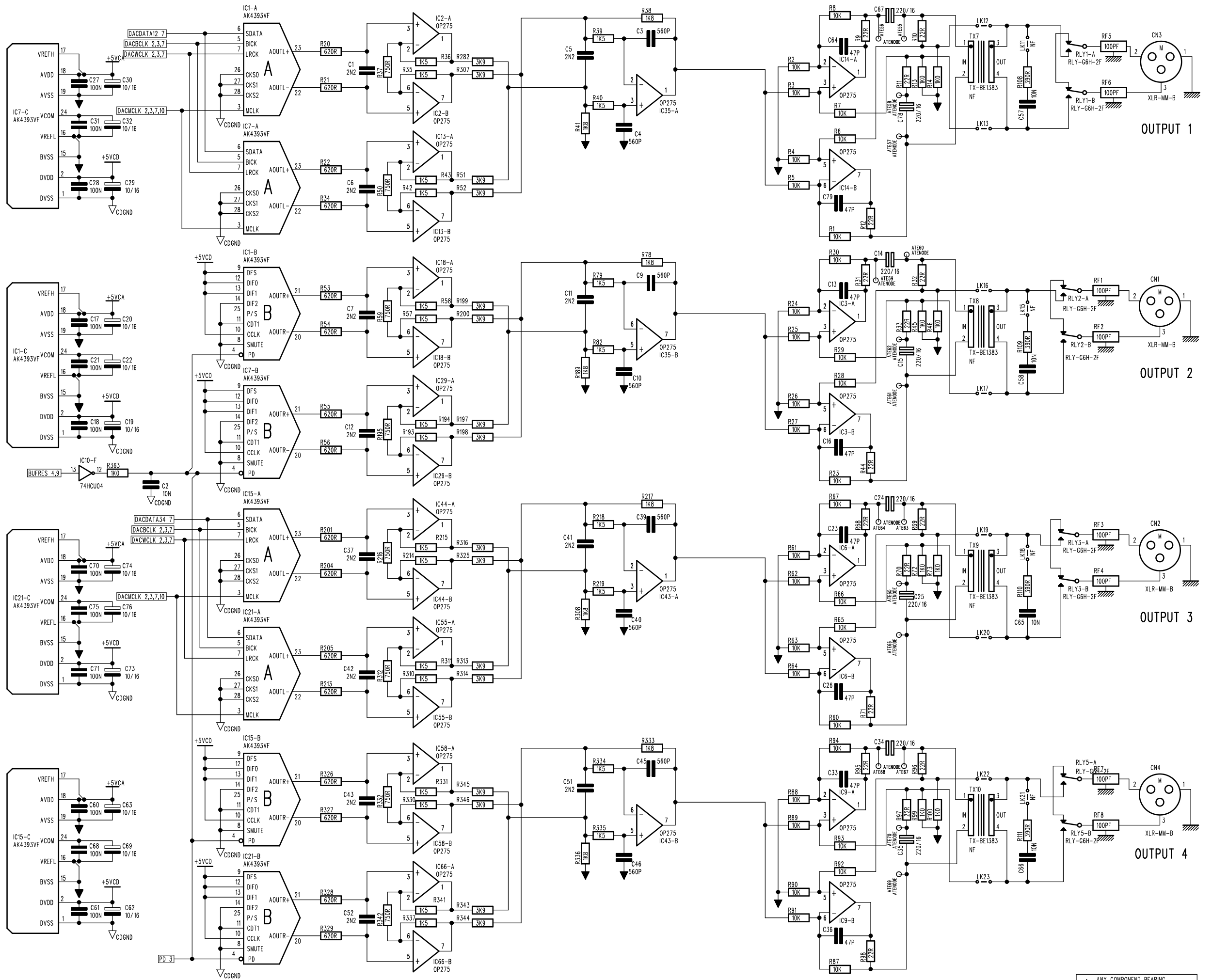
DATE: 10-09-98

CHECKED:

MATERIAL:

FINISH:

ISSUE COMMENTS:



THIS DRAWING IS THE COPYRIGHT OF BSS Audio Ltd. ALL REPRODUCTION AND COPYING, OTHER THAN THAT FOR LICENCED MANUFACTURERS OWN INTERNAL USE, OR DISCLOSURE OF PART OR WHOLE TO A THIRD PARTY WITHOUT PRIOR WRITTEN AUTHORISATION IS IN VIOLATION OF THE COPYRIGHT. © BSS Audio Ltd 2001

ANY COMPONENT BEARING THIS MARK IS SAFETY CRITICAL PLEASE REFER TO SERVICE MANUAL

DRAWING NUMBER ISSUE

S-B366AS-05



HARMAN INTERNATIONAL INDUSTRIES LIMITED
CRANBORNE HOUSE
CRANBORNE ROAD
POTTERS BAR
HERTS
EN6 3JN
Tel 01707 660667
Fax 01707 660755

BSS Audio.

TITLE: OUTPUTS 5-6

SHEET 3 OF 10

FILENAME: S-B366AS-05.SCH

DRAWN: AW

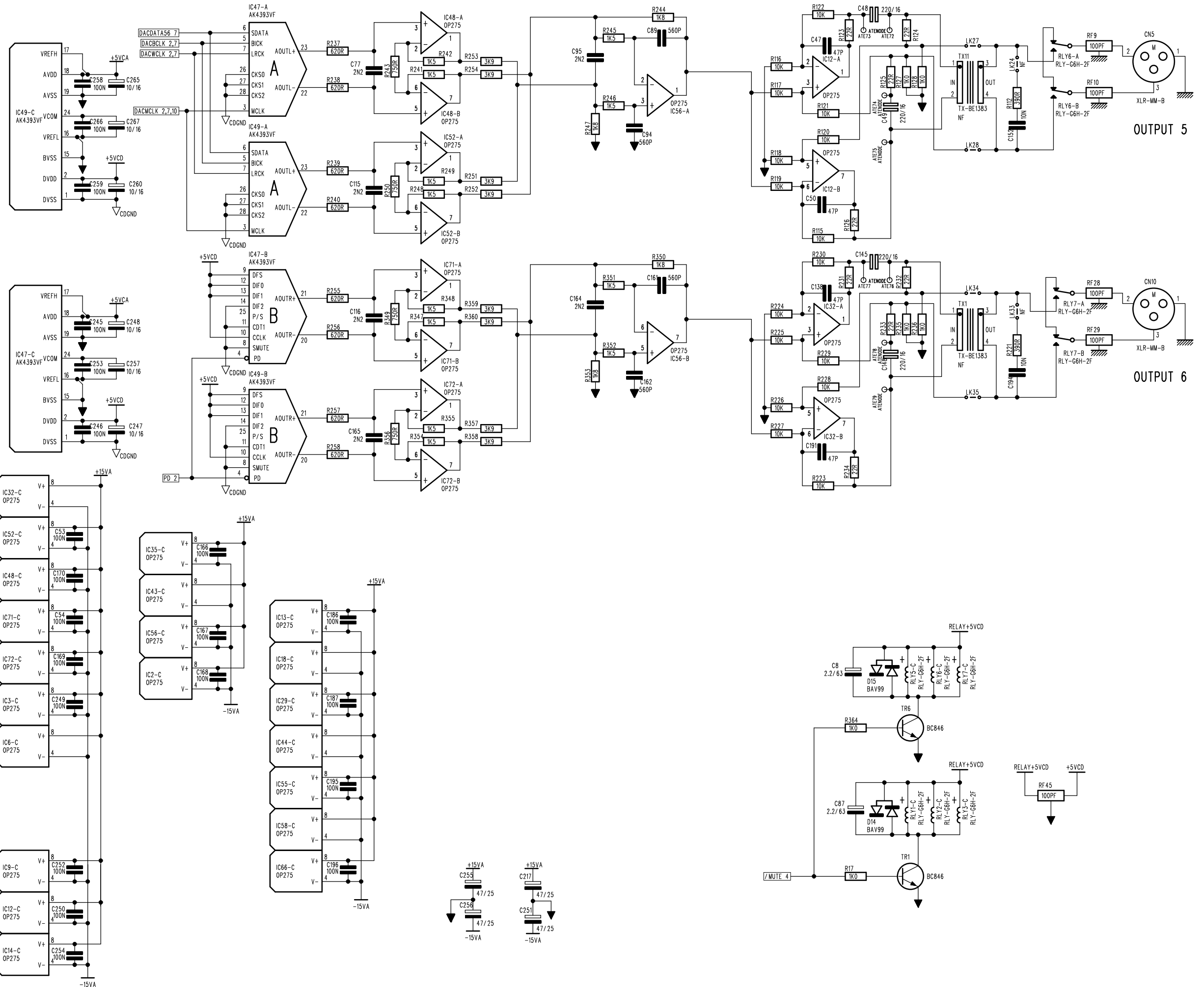
DATE: 26-02-99

CHECKED:

MATERIAL:

FINISH:

ISSUE COMMENTS:



THIS DRAWING IS THE COPYRIGHT OF BSS Audio Ltd. ALL REPRODUCTION AND COPYING, OTHER THAN THAT FOR LICENCED MANUFACTURERS OWN INTERNAL USE, OR DISCLOSURE OF PART OR WHOLE TO A THIRD PARTY WITHOUT PRIOR WRITTEN AUTHORISATION IS IN VIOLATION OF THE COPYRIGHT. © BSS Audio Ltd 2001

DRAWING NUMBER ISSUE

S-B366AS-05



TITLE: MICROPROCESSOR

SHEET 4 OF 10

FILENAME: S-B366AS-05.SCH

DRAWN: AW

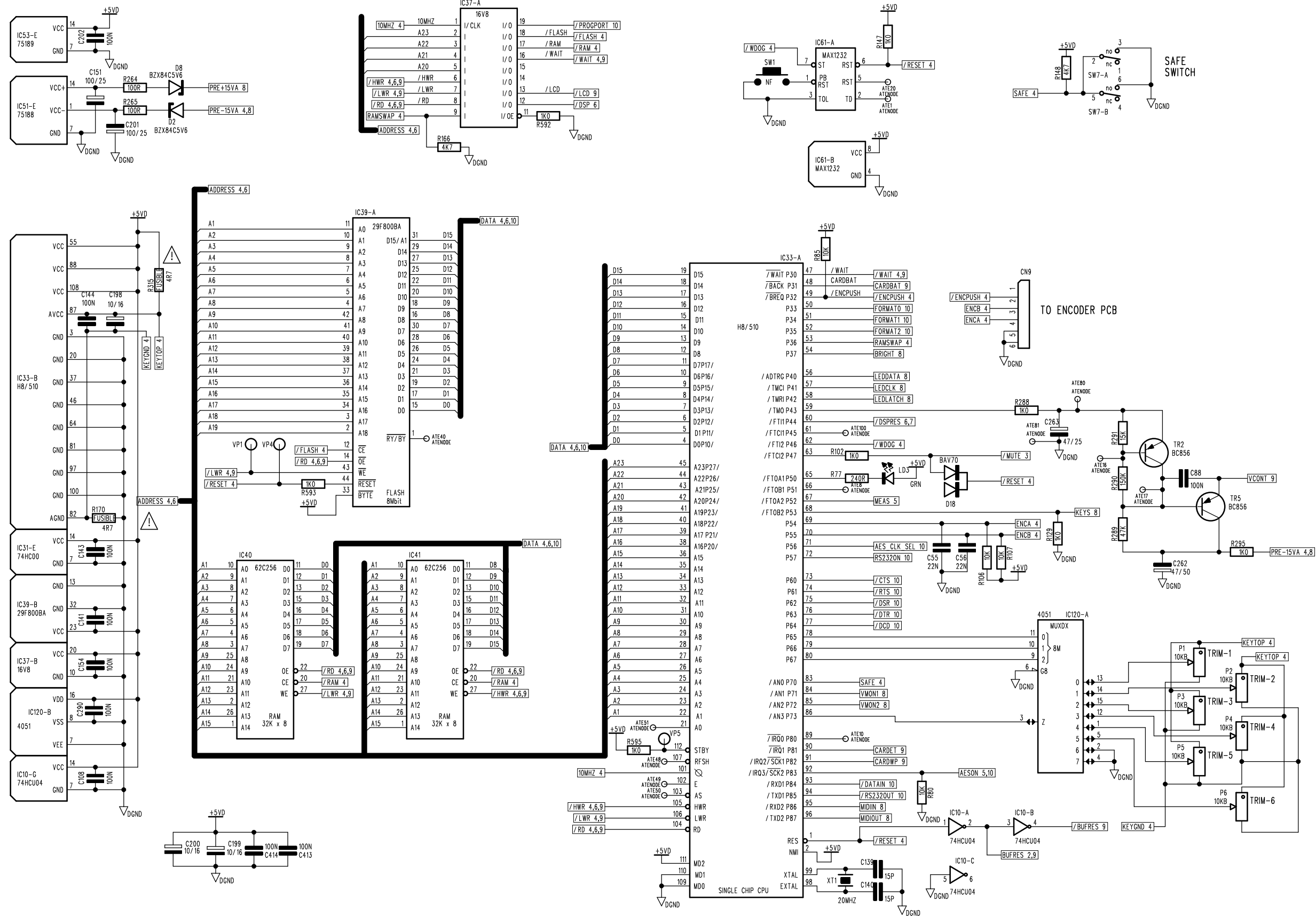
DATE: 10-09-98

CHECKED:

MATERIAL:

FINISH:

ISSUE COMMENTS:



DRAWING NUMBER ISSUE

S-B366AS-05



TITLE: INPUTS 1-3

SHEET 5 OF 10

FILENAME: S-B366AS-05.SCH

DRAWN: AW

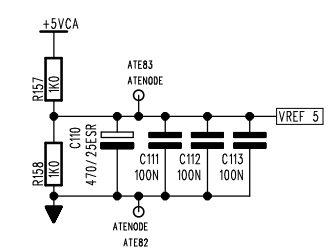
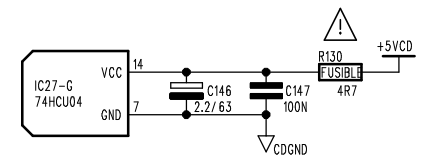
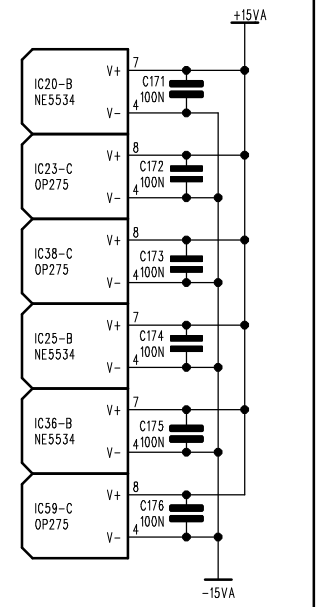
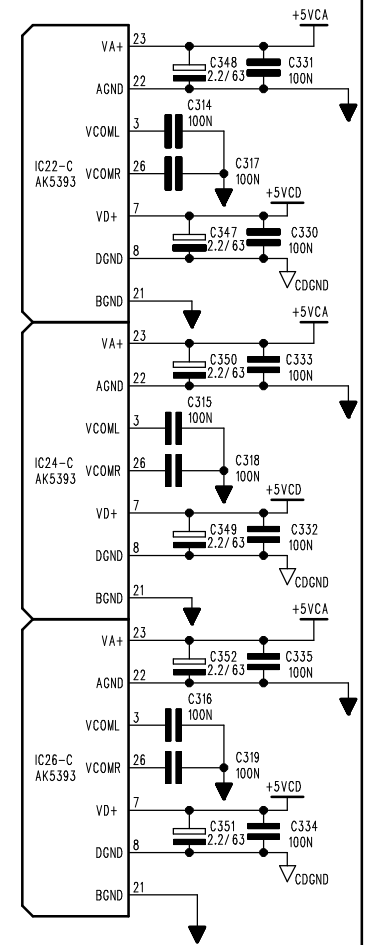
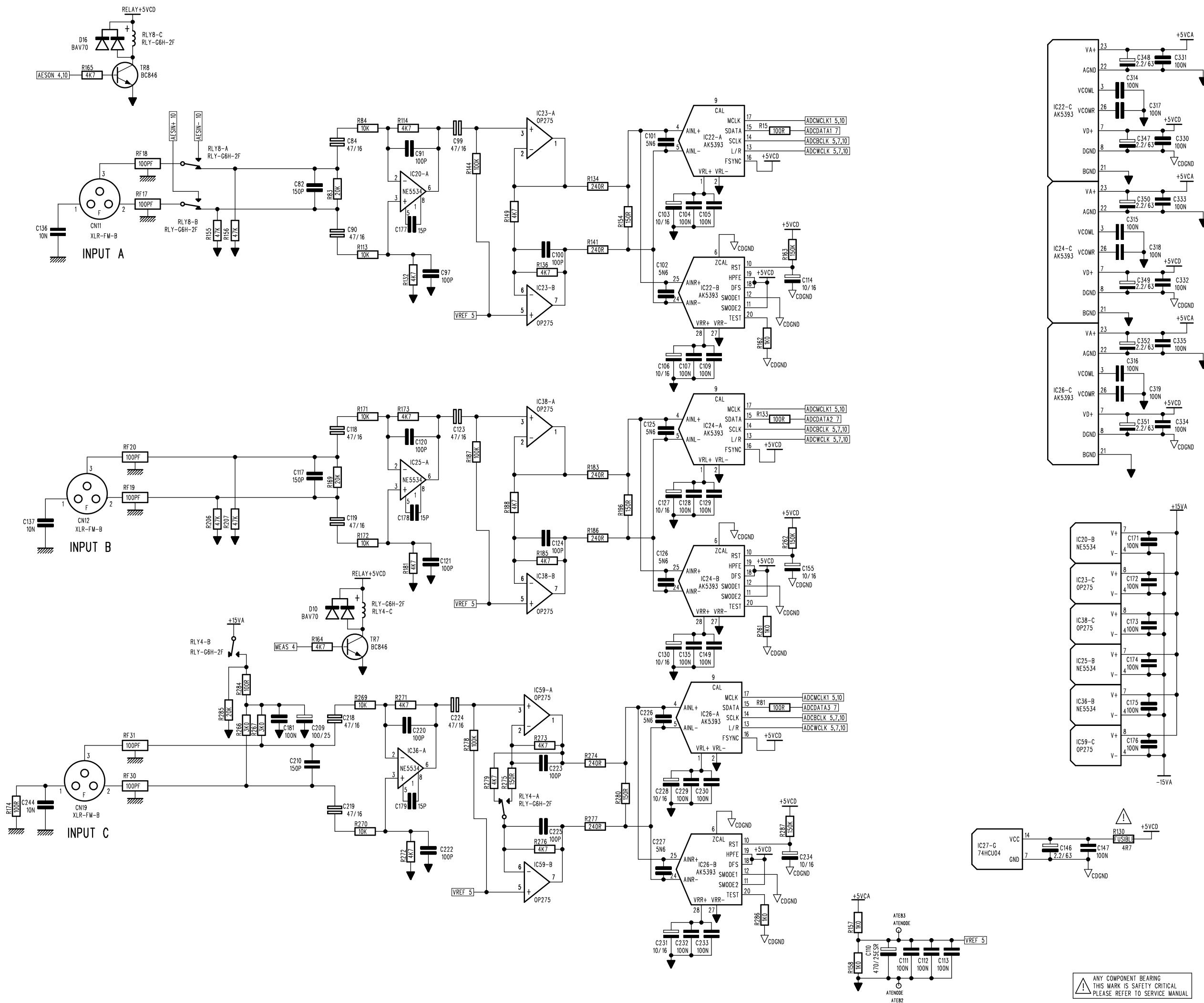
DATE: 26-02-99

CHECKED:

MATERIAL:

FINISH:

ISSUE COMMENTS:



ANY COMPONENT BEARING THIS MARK IS SAFETY CRITICAL PLEASE REFER TO SERVICE MANUAL

THIS DRAWING IS THE COPYRIGHT OF BSS Audio Ltd. ALL REPRODUCTION AND COPYING, OTHER THAN THAT FOR LICENCED MANUFACTURERS OWN INTERNAL USE, OR DISCLOSURE OF PART OR WHOLE TO A THIRD PARTY WITHOUT PRIOR WRITTEN AUTHORISATION IS IN VIOLATION OF THE COPYRIGHT. © BSS Audio Ltd 2001

DRAWING NUMBER ISSUE

S-B366AS-05



TITLE: DSP 0

SHEET 6 OF 10

FILENAME: S-B366AS-05.SCH

DRAWN: AW

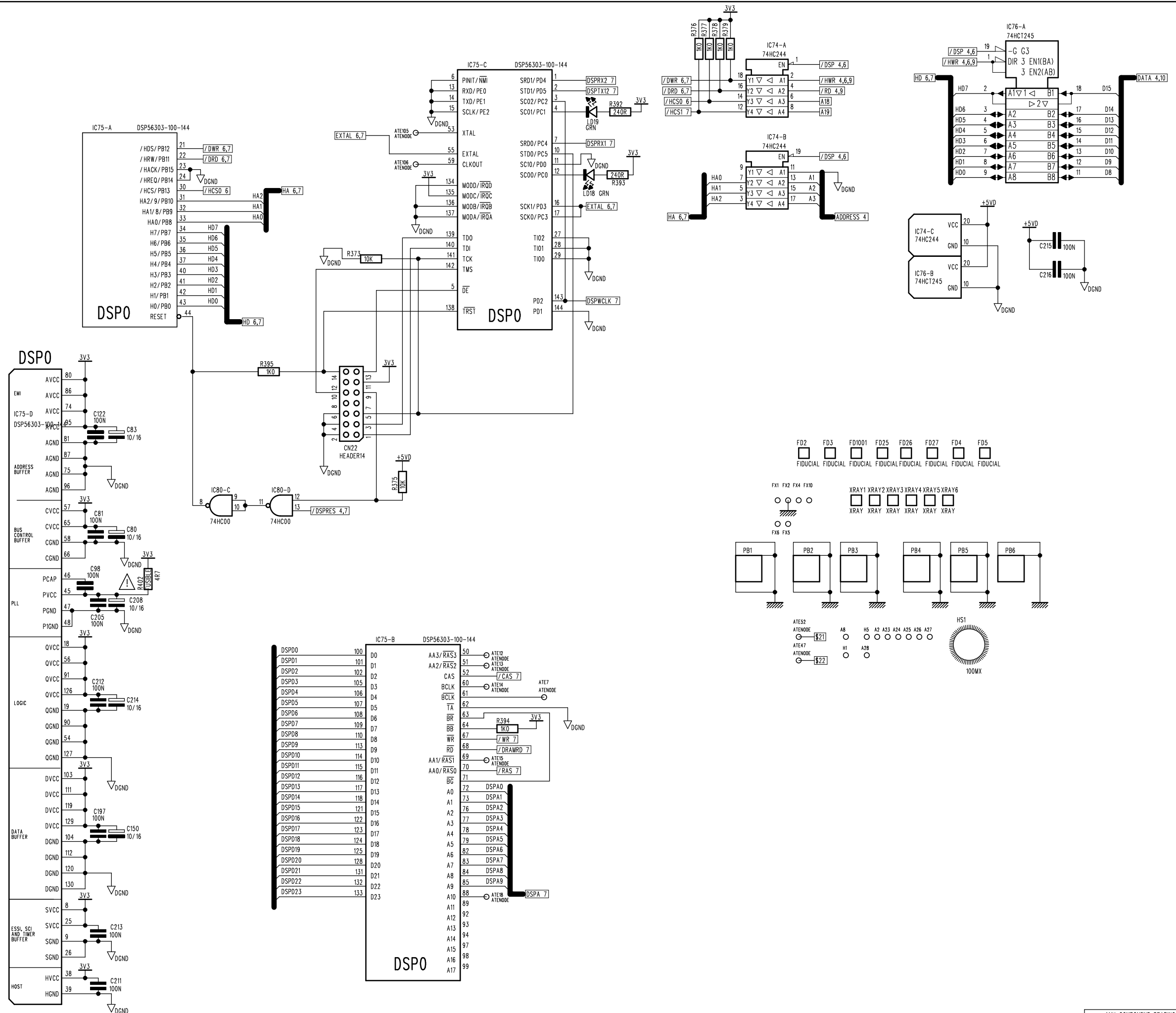
DATE: 26-02-99

CHECKED:

MATERIAL:

FINISH:

ISSUE COMMENTS:



THIS DRAWING IS THE COPYRIGHT OF BSS Audio Ltd. ALL REPRODUCTION AND COPYING, OTHER THAN THAT FOR LICENCED MANUFACTURES OWN INTERNAL USE, OR DISCLOSURE OF PART OR WHOLE TO A THIRD PARTY WITHOUT PRIOR WRITTEN AUTHORISATION IS IN VIOLATION OF THE COPYRIGHT. © BSS Audio Ltd 2001

ANY COMPONENT BEARING THIS MARK IS SAFETY CRITICAL PLEASE REFER TO SERVICE MANUAL

DRAWING NUMBER ISSUE

S-B366AS-05



HARMAN INTERNATIONAL
INDUSTRIES LIMITED
CRANBORNE HOUSE
CRANBORNE ROAD
POTTERS BAR
HERTS
EN6 3JN
Tel 01707 660667
Fax 01707 660755

BSS Audio.

TITLE: DSP 1

SHEET 7 OF 10

FILENAME: S-B366AS-05.SCH

DRAWN: AW

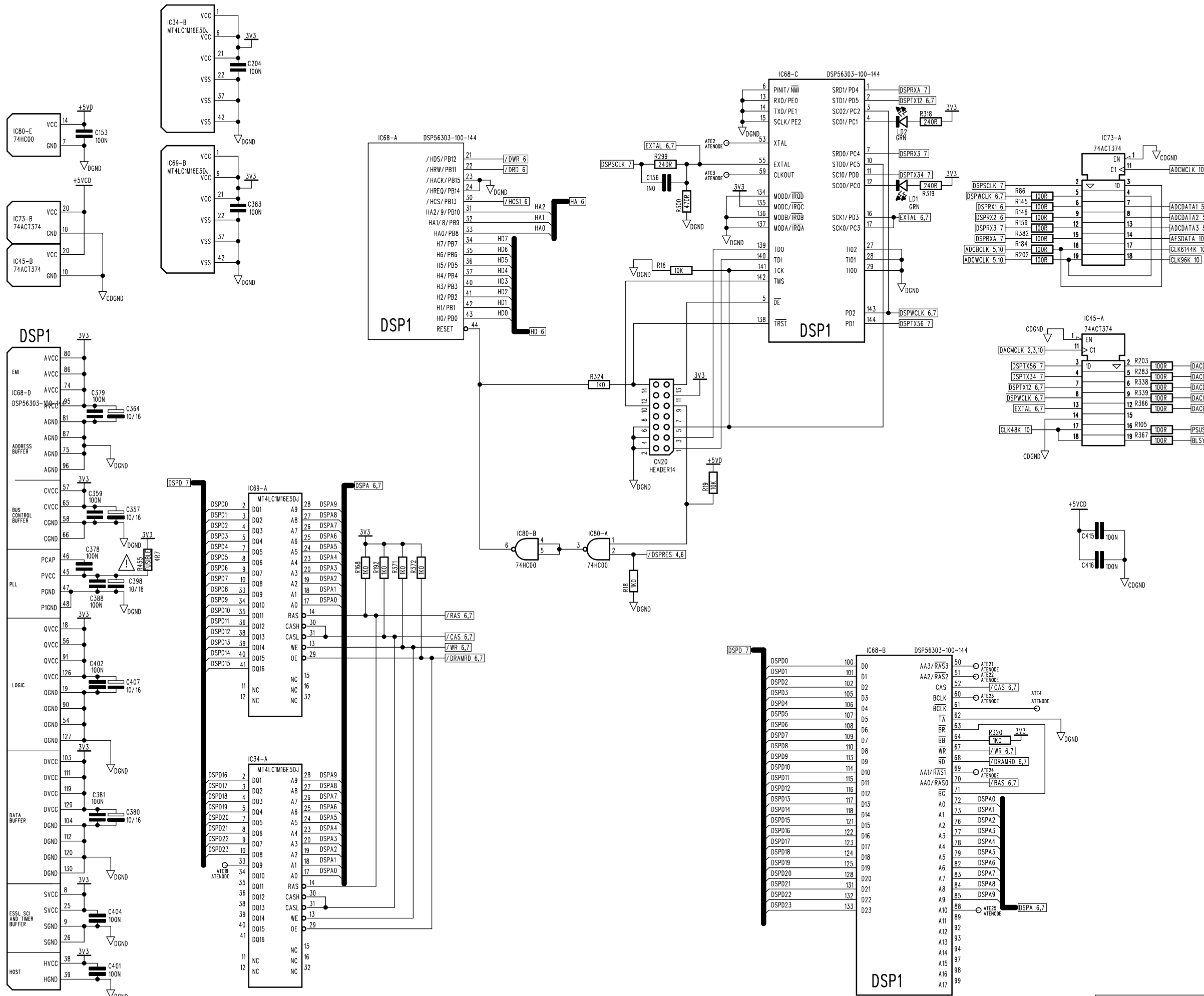
DATE: 26-02-99

CHECKED:

MATERIAL:

FINISH:

ISSUE COMMENTS:



THIS DRAWING IS THE COPYRIGHT OF BSS Audio Ltd. ALL REPRODUCTION AND COPYING, OTHER THAN THAT FOR LICENCED MANUFACTURERS OWN INTERNAL USE, OR DISCLOSURE OF PART OR WHOLE TO A THIRD PARTY WITHOUT PRIOR WRITTEN AUTHORISATION IS IN VIOLATION OF THE COPYRIGHT.
© BSS Audio Ltd 2001

ANY COMPONENT BEARING THIS MARK IS SAFETY CRITICAL PLEASE REFER TO SERVICE MANUAL

DRAWING NUMBER ISSUE

S-B366AS-05



HARMAN INTERNATIONAL INDUSTRIES LIMITED
CRANBORNE HOUSE
CRANBORNE ROAD
POTTERS BAR
HERTS
EN6 3JN

BSS Audio. Tel 01707 660667
Fax 01707 660755

TITLE: MIDI, 3V3 SUPPLY,
VOLTAGE SENSING, BACKLIGHT
& REGULATORS

SHEET 8 OF 10

FILENAME: S-B366AS-05.SCH

DRAWN: AW

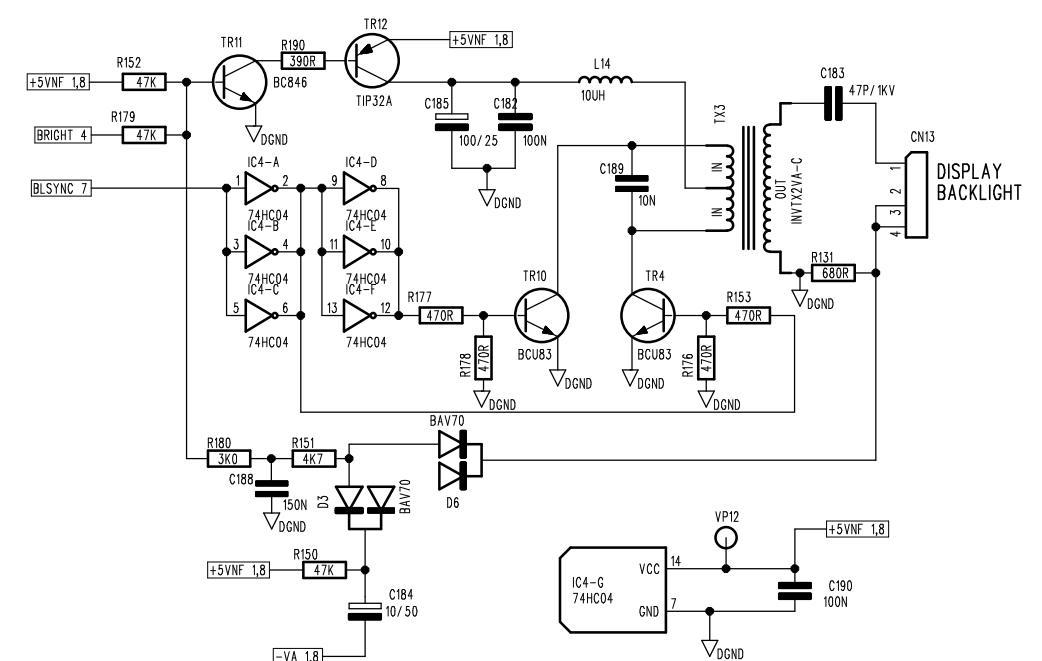
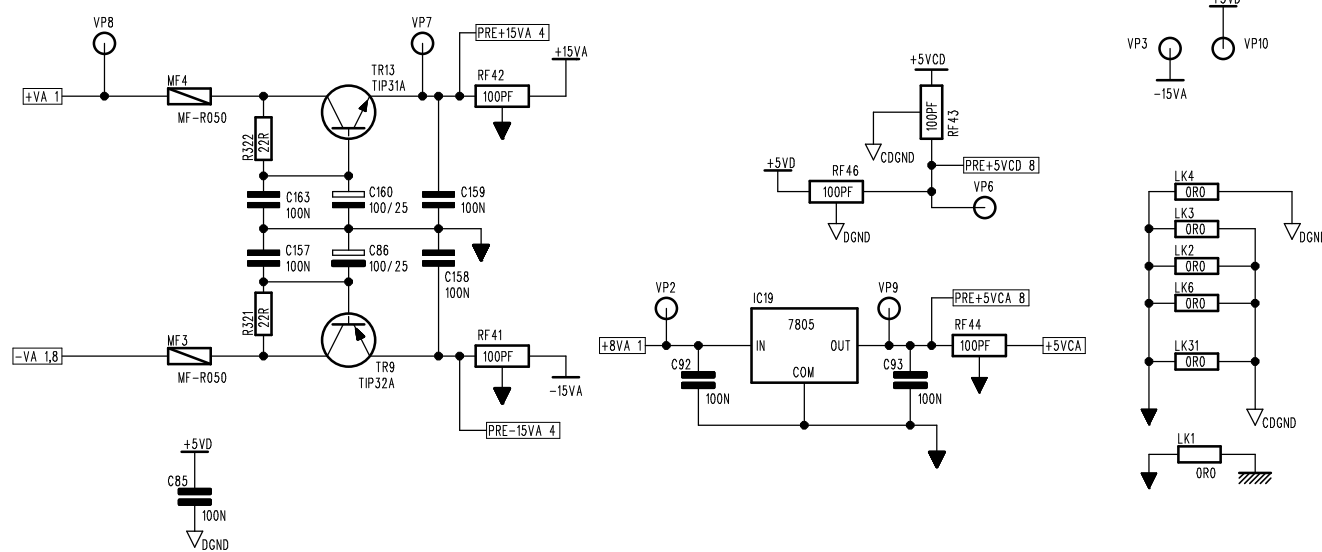
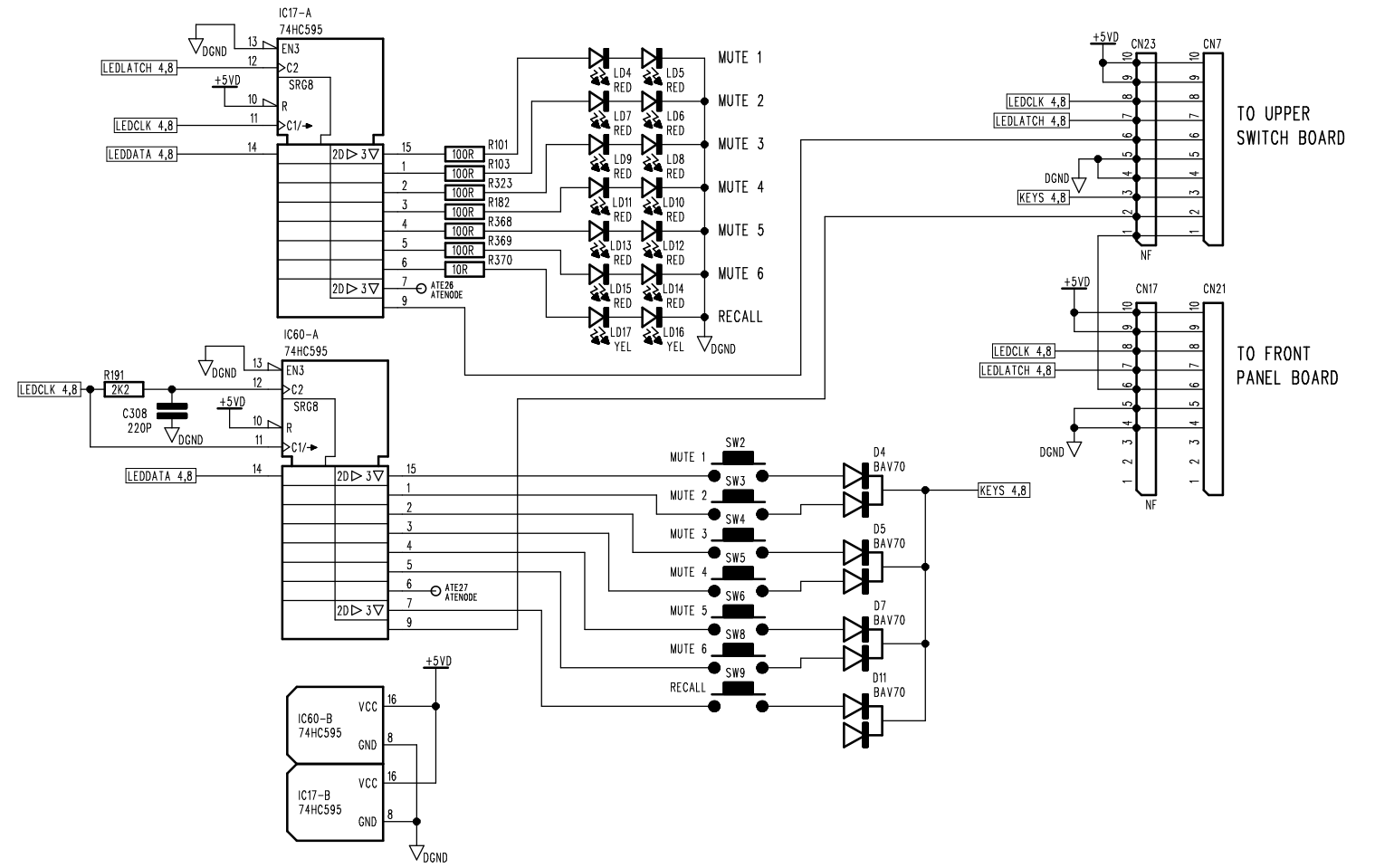
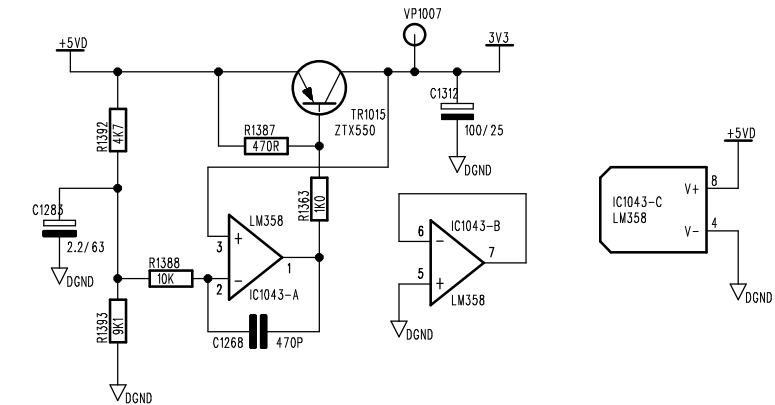
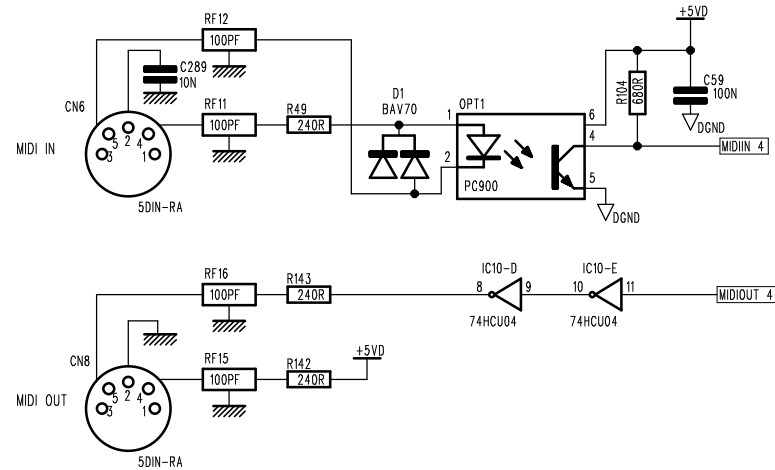
DATE: 26-02-99

CHECKED:

MATERIAL:

FINISH:

ISSUE COMMENTS:



DRAWING NUMBER ISSUE

S-B366AS-05



HARMAN INTERNATIONAL INDUSTRIES LIMITED
CRANBORNE HOUSE
CRANBORNE ROAD
POTTERS BAR
HERTS
EN6 3JN
Tel 01707 660667
Fax 01707 660755

TITLE: **CARD & DISPLAY**

SHEET 9 OF 10

FILENAME: S-B366AS-05.SCH

DRAWN: **AW**

DATE: **26-02-99**

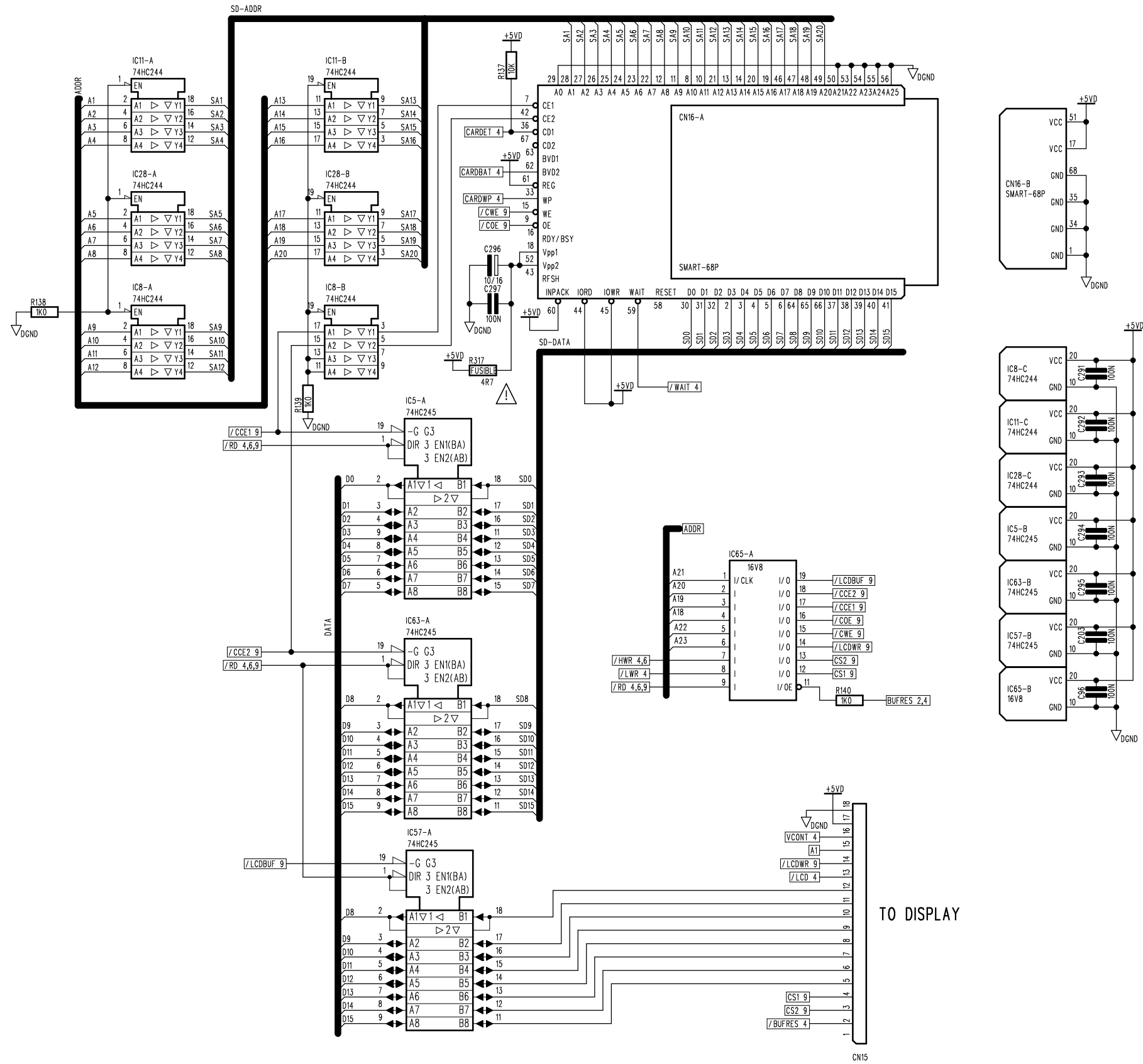
CHECKED:

MATERIAL:

FINISH:

ISSUE COMMENTS:

THIS DRAWING IS THE COPYRIGHT OF BSS Audio Ltd. ALL REPRODUCTION AND COPYING, OTHER THAN THAT FOR LICENCED MANUFACTURES OWN INTERNAL USE, OR DISCLOSURE OF PART OR WHOLE TO A THIRD PARTY WITHOUT PRIOR WRITTEN AUTHORISATION IS IN VIOLATION OF THE COPYRIGHT.
© BSS Audio Ltd 2001



DRAWING NUMBER ISSUE

S-B366AS-05



HARMAN INTERNATIONAL INDUSTRIES LIMITED
CRANBORNE HOUSE
CRANBORNE ROAD
POTTERS BAR
HERTS
EN6 3JN

BSS Audio. Tel 01707 660667 Fax 01707 660755

TITLE: AES / EBU & COMMS

SHEET 10 OF 10

FILENAME: S-B366AS-05.SCH

DRAWN: AW

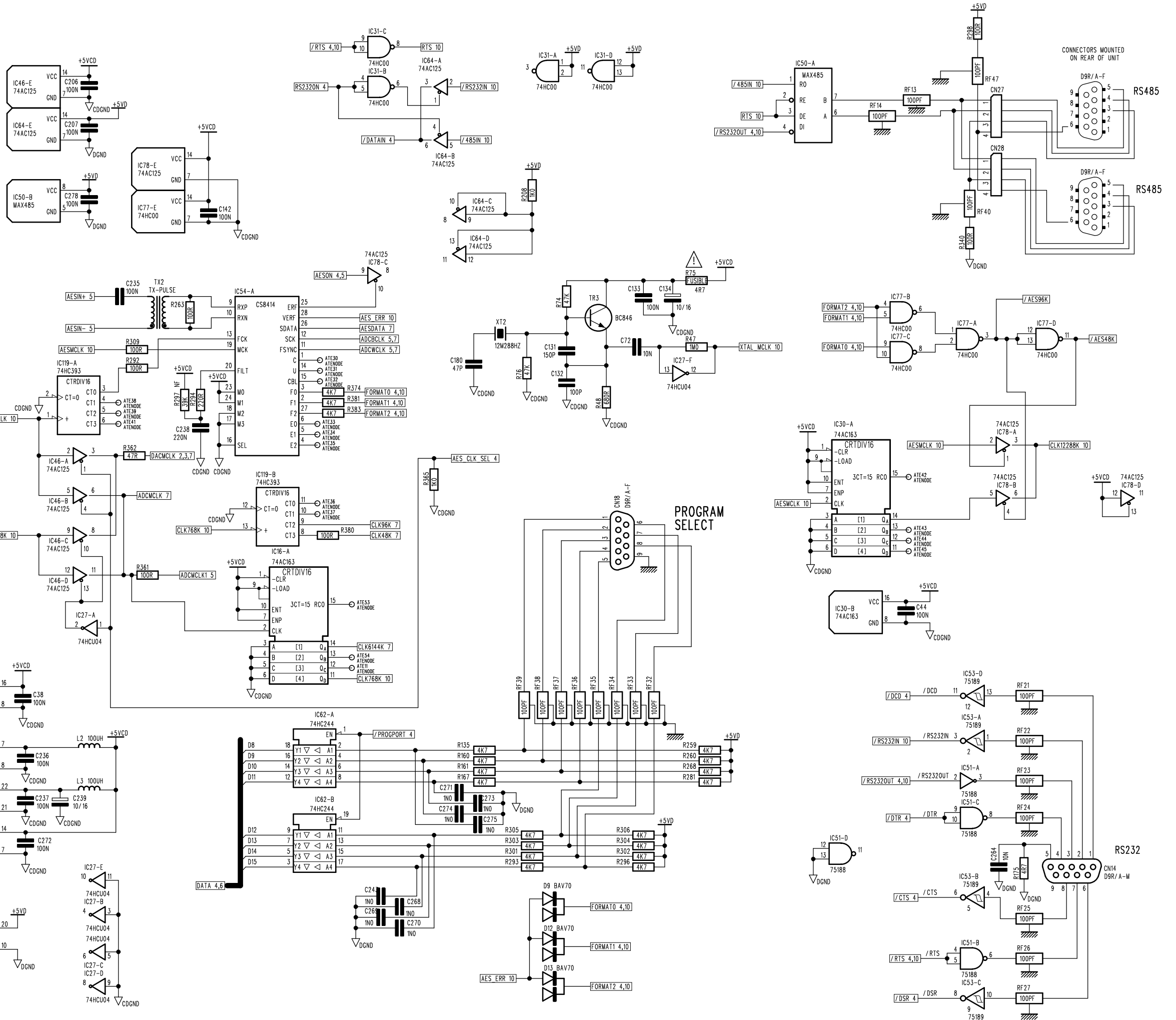
DATE: 26-02-99

CHECKED:

MATERIAL:

FINISH:

ISSUE COMMENTS:



DRAWING NUMBER ISSUE
S-B366BS-03



HARMAN INTERNATIONAL
 INDUSTRIES LIMITED
 CRANBORNE HOUSE
 CRANBORNE ROAD
 POTTERS BAR
 HERTS
 EN6 3JN
 Tel 01707 660667
 Fax 01707 660755

BSS Audio.

TITLE: LED PANEL

SHEET 1 OF 1

FILENAME: S-B366BS-03.SCH

DRAWN: PST

DATE: 19/02/99

CHECKED:

MATERIAL:

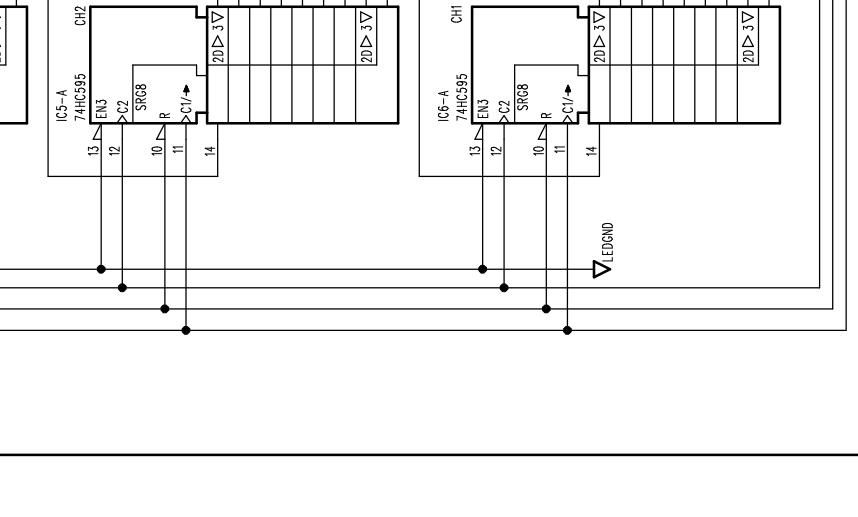
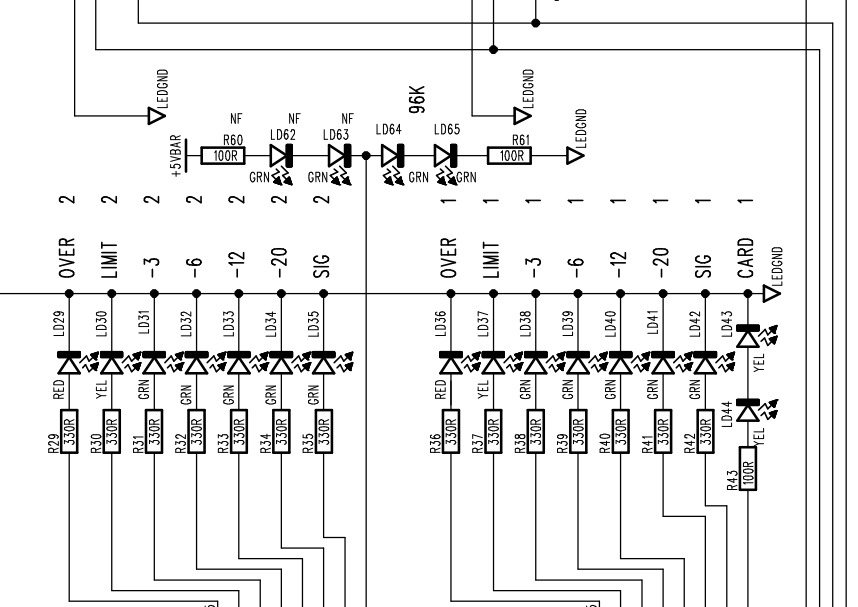
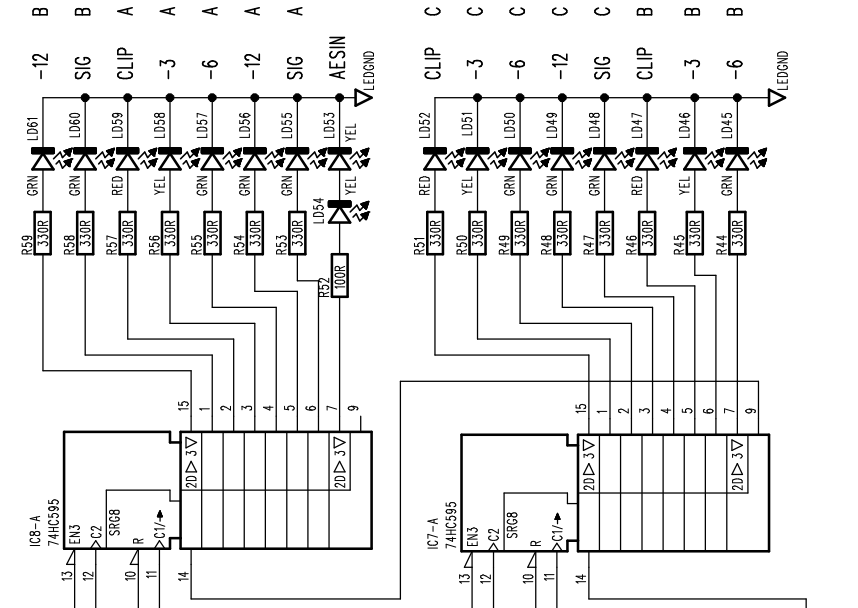
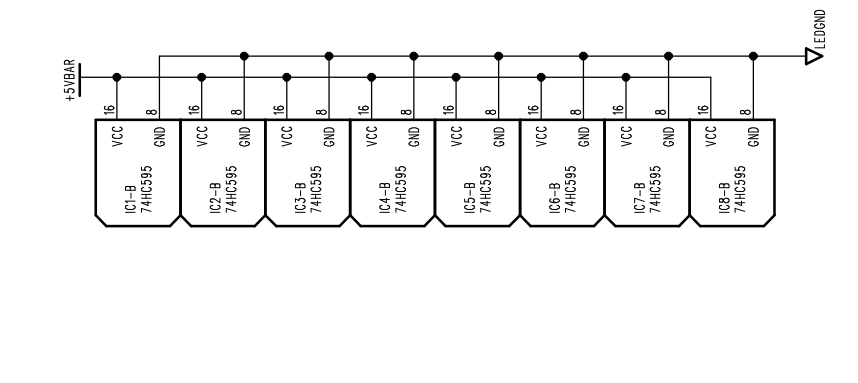
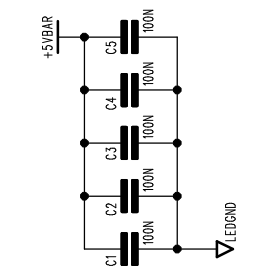
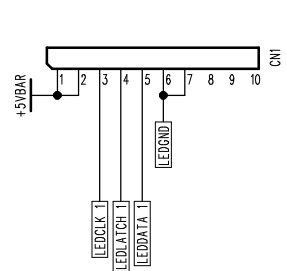
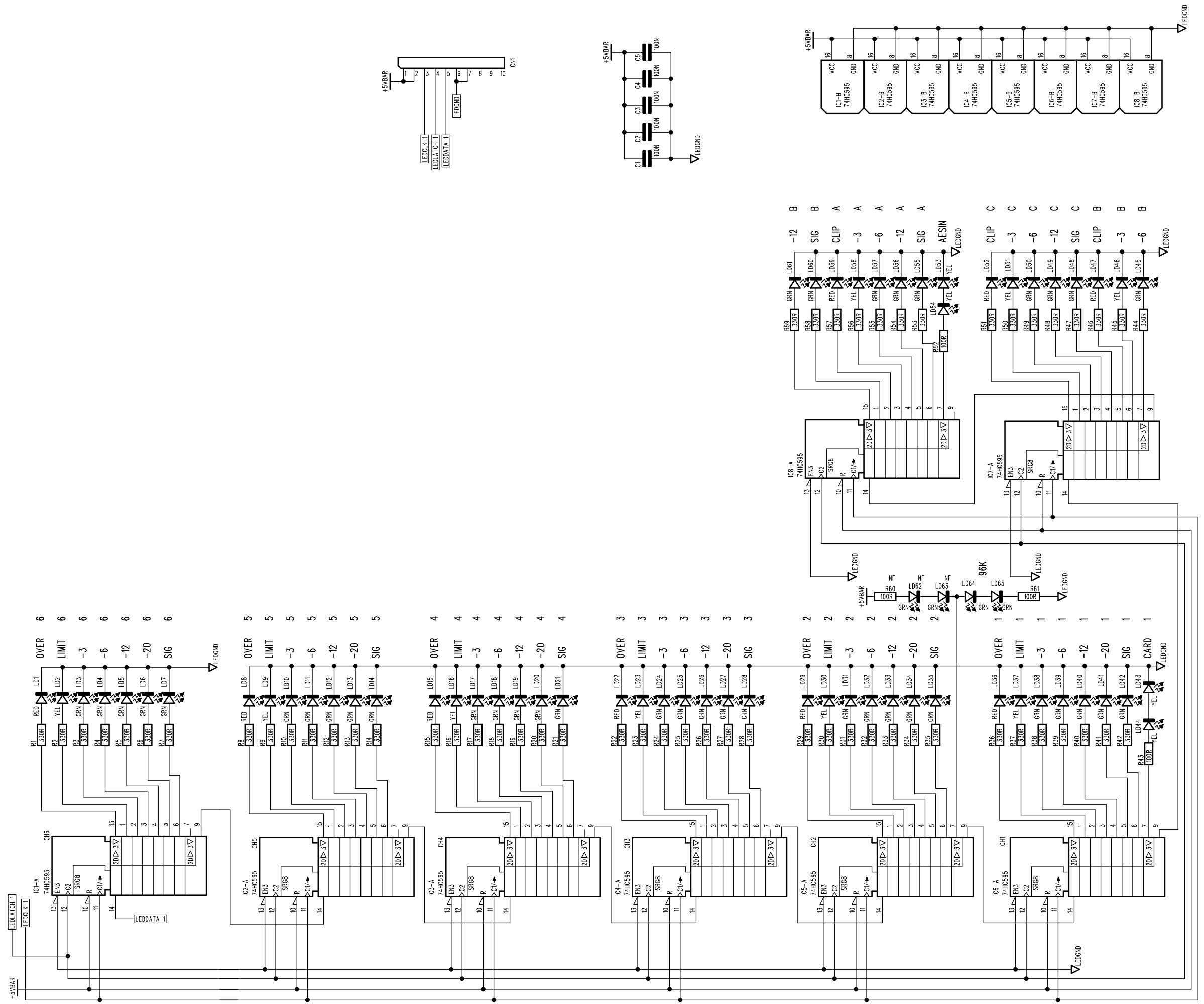
FINISH:

ISSUE COMMENTS:

1. PRE PRODUCTION RELEASE 23/02/99
2. PRODUCTION RELEASE 26/04/99
3. ECN0232 14/10/99

DRAWING No WAS 366SB-02

THIS DRAWING IS THE COPYRIGHT OF BSS Audio Ltd. ALL REPRODUCTION AND COPYING, OTHER THAN THAT FOR LICENCED MANUFACTURERS OWN INTERNAL USE, OR DISCLOSURE OF PART OR WHOLE TO A THIRD PARTY WITHOUT PRIOR WRITTEN AUTHORISATION IS IN VIOLATION OF THE COPYRIGHT.
 © BSS Audio Ltd 1994



DRAWING NUMBER ISSUE

S-B366CS-02



HARMAN INTERNATIONAL INDUSTRIES LIMITED
CRANBORNE HOUSE
CRANBORNE ROAD
POTTERS BAR
HERTS
EN6 3JN

BSS Audio. Tel 01707 660667
Fax 01707 660755

TITLE: UPPER SWITCH BOARD

SHEET 1 OF 1

FILENAME: S-B366CS-02.SCH

DRAWN: PST

DATE: 29/04/99

CHECKED:

MATERIAL:

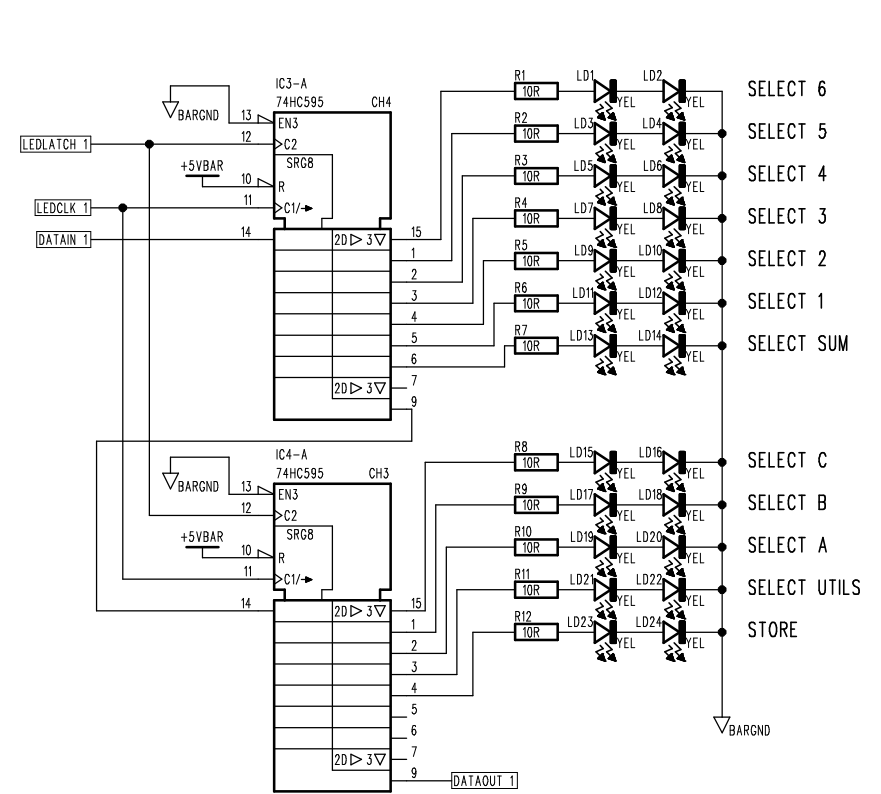
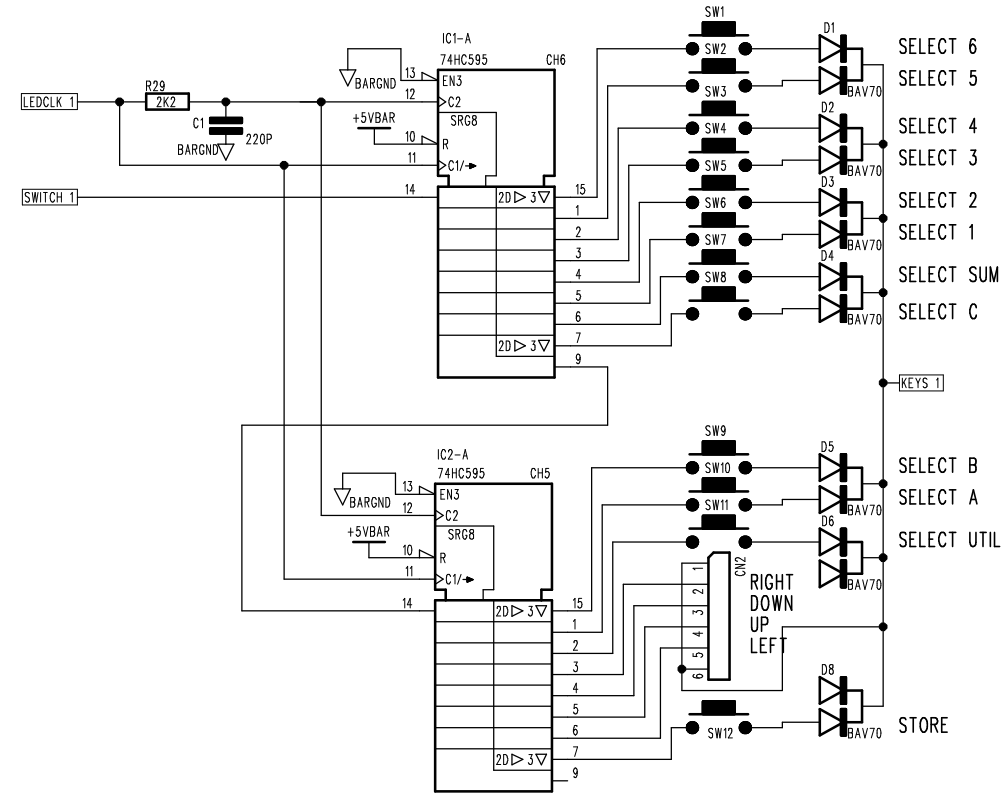
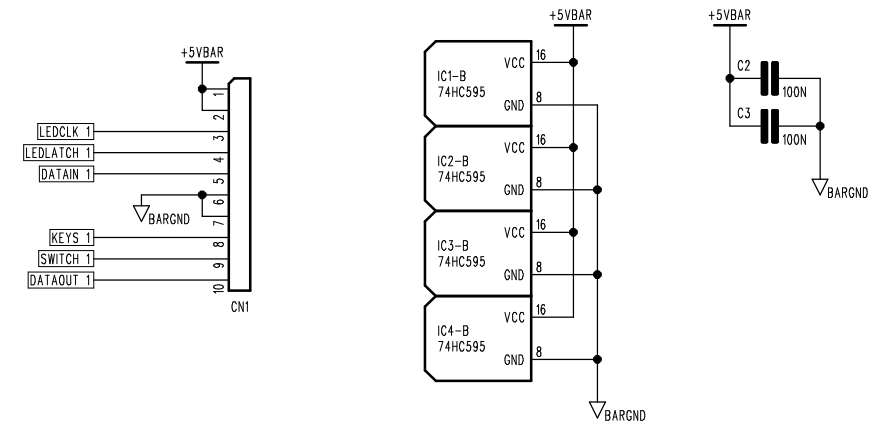
FINISH:

ISSUE COMMENTS:

- 1. PRE PRODUCTION RELEASE 23/02/99
- 2. PRODUCTION RELEASE 26/04/99

DRAWING No WAS 366SC-02.

THIS DRAWING IS THE COPYRIGHT OF BSS Audio Ltd. ALL REPRODUCTION AND COPYING, OTHER THAN THAT FOR LICENCED MANUFACTURES OWN INTERNAL USE, OR DISCLOSURE OF PART OR WHOLE TO A THIRD PARTY WITHOUT PRIOR WRITTEN AUTHORISATION IS IN VIOLATION OF THE COPYRIGHT. © BSS Audio Ltd 1994



DRAWING NUMBER ISSUE

S-B366DS-03



HARMAN INTERNATIONAL
INDUSTRIES LIMITED
CRANBORNE HOUSE
CRANBORNE ROAD
POTTERS BAR
HERTS
EN6 3JN

BSS Audio. Tel 01707 660667
Fax 01707 660755

TITLE: FRONT PANEL MODULE

SHEET 1 OF 1

FILENAME: S-B366DS-03.SCH

DRAWN: PST

DATE: 29/04/99

CHECKED:

MATERIAL:

FINISH:

ISSUE COMMENTS:

1. PRE PRODUCTION RELEASE 23/02/99
2. PRODUCTION RELEASE 26/04/99
3. ECN0281 19/01/00

DRAWING No WAS 366SD-02.

THIS DRAWING IS THE COPYRIGHT OF BSS Audio Ltd. ALL REPRODUCTION AND COPYING, OTHER THAN THAT FOR LICENCED MANUFACTURES OWN INTERNAL USE, OR DISCLOSURE OF PART OR WHOLE TO A THIRD PARTY WITHOUT PRIOR WRITTEN AUTHORISATION IS IN VIOLATION OF THE COPYRIGHT.
© BSS Audio Ltd 1994

