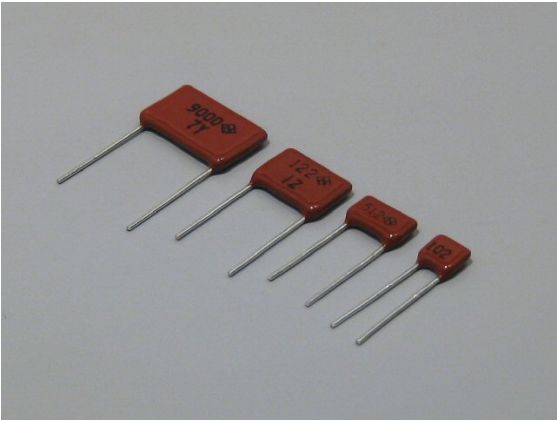
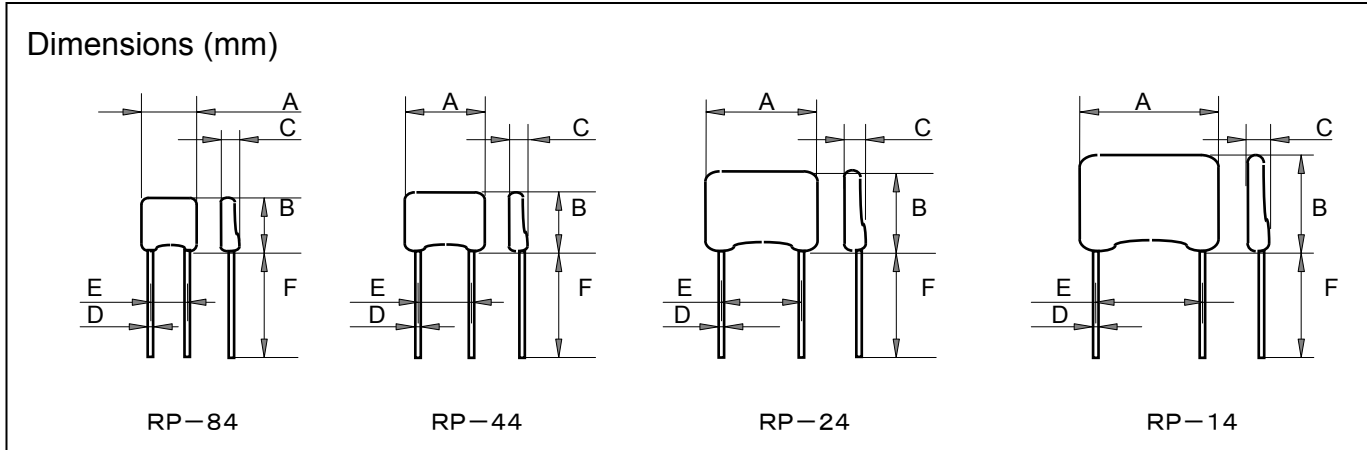


RADIAL LEADS METAL FILM RESISTORS
 RP-84, RP-44, RP-24, RP-14



Features and Applications

- Radial leaded 1/8W-1/4W-1/2W-1W rating and up to 25ppm/K, 0.1% absolute in series.
- Precision Ni-Cr thin film resistors, applicable in general use.
- Color coded, lead forming and taping to be available in 1/4W and 1/2W.
- Featuring long-term stability, low noise, wide operating temperature range, and low failure rate.
- Communications, power control, Industrial measurements, automatic testing, medical, and high-ended audio systems.



Type	A	B	C	D	E	F
RP-84	5.0max	5.0max	2.5max	0.5 dia.	2.5±0.5	10±2
RP-44	7.5max	5.5max	2.5max	0.5 dia.	5.0±0.5	10±2
RP-24	10.0max	7.5max	2.5max	0.5 dia.	7.5±0.5	10±2
RP-14	14.0max	8.5max	2.5max	0.5 dia.	10.0±0.5	10±2

Specifications and Performances

Type	RL84	RP-84	RT-84	RL44	RP-44	RT-44		
Lead Pitch	2.5mm			5.0mm				
Rating	1/8W			1/4W				
Resistance	0.1-9.1	47-33K	10-47K	47K-10M	0.1-9.1	47-180K	10-250K	270K-10M
Nominal Value	E12	E24, E96	E24	E24	E12, E24, E96	E24	E24	E24
TCR(+/-ppm/K)	250 (H)	25 (E)	50 (C)	100 (A)	250 (H)	25 (E)	50 (C)	100 (A)
Tolerance(+/-%)	5.0 (J)	0.1(B)	1.0(F)	2.0(G)	5.0(J)	0.1(B)	1.0(F)	2.0(G)
Lead-free	Z00			Z00	Z00	Z00	Z00	Z00
Color Coded	Not available, Z00 only			NA	NA	A00	A00	A00
Lead Formed	Not available, Z00 only			010	NA	Z10	Z10	Z10
Taping	Not available, Z00 only			Z02	Z02	Z02	Z02	Z02
Working Voltages	√(PR)			√(PR)			√(PR)	
Rated Amb. Temp.	70 deg C			70 deg C			70 deg C	
Operating Temp.	-55 to +155 deg C			-55 to +155 deg C			-55 to +155 deg C	

RADIAL LEADS METAL FILM RESISTORS

RP-84, RP-44, RP-24, RP-14

Specifications and Performances

P/N	RL24	RP-24			RT-24	RL14	RP-14		RT-14
Lead Pitch	7.5mm				10.0mm				
Rating	1/2W	1/4W	1/2W		1W	1/2W	1W		
Resistance	0.1-9.1	47-750K	10-1M	1M-10M	0.1-9.1	47-750K	10-1M	1M-10M	
Nominal Value	E12	E24, E96	E24	E24	E12	E24, E96	E24	E24	
TCR (ppm/deg C)	250(H)	25(E)	50(C)	100(A)	250(H)	25(E)	50(C)	100(A)	
Tolerance (%)	5.0 (J)	0.1 (B)	1.0 (F)	2.0 (G)	5.0 (J)	0.1 (B)	1.0 (F)	2.0 (G)	
Lead-free	Z00	Z00	Z00	Z00	Z00				
Color Coded	NA	NA	A00	A00	Not available, Z00 only				
Lead Formed	010	NA	Z10	Z10	Not available, Z00 only				
Taping	Z02	Z02	Z02	Z02	Not available, Z00 only				
Working Voltages	√(PR)				√(PR)				
Rated Amb. Temp.	70 deg C				70 deg C				
Operating Temp.	-55 to +155 deg C				-55 to +155 deg C				

Performance

	EB (25ppm, 0.1%)	CF (50ppm, 1.0%)	Test Condition
Short Time Overload	±0.10%	±0.25%	2.5 times rated power, 5 seconds.
Load Life	±0.10%	±0.5%	70 deg C, 90min., ON, 30min., OFF, 1000hours
Humidity	±0.25%	±0.5%	40degC,90-95%RH,90min.,ON,30min.,OFF, 1000hours.
Temperature Cycle	±0.10%	±0.25%	-55C, 30min., +155C, 30 min., 20 cycles.
Soldering Heat	±0.10%	±0.10%	4mm portion, 350C, 3 seconds, dipping.
Withstanding Volt.	±0.10%	±0.25%	
Terminal Strength	±0.10%	±0.25%	
Insulation Resistance	>10,000MΩ	>10,000MΩ	

Ordering Information

Type	TCR	Resistance	Tolerance	Code	Note
RP-24	C	10kohm	F	A10	Color-Forming-Bulk
RP-84	E	E96+	B	Z00	No color, no forming, bulk
RP-44	C	E24+	F	A00	Color*, no forming, bulk
RP-24				Z10	No color, forming**, bulk
RP-14				A10	Color*, forming**, bulk
				Z02	No color, no forming, tape***
				A02	Color*, no forming, tape***
				Z12	No color, forming**, tape***
				A12	Color*, forming**, tape***

* Color code printing is available only RP-44 and RP-24.

** Lead forming is available only RP-44 and RP-24.

*** Taping is available only RP-44 and RP-24.

Marking Stamp on Resistors

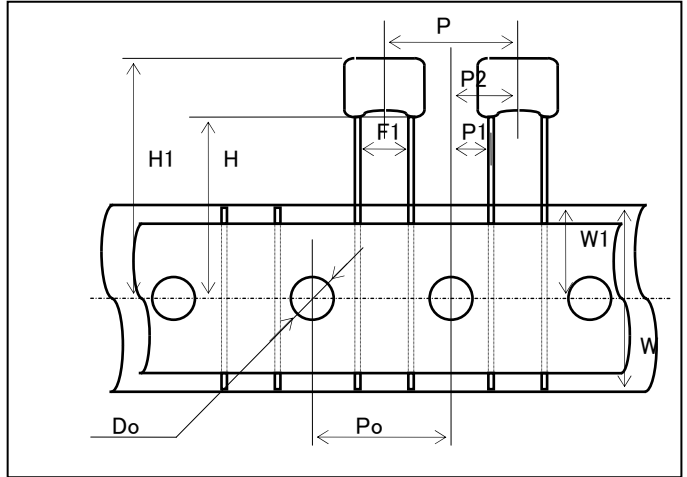
Type	RP-84EB	RP-84CF	RP-44EB	RP-44CF	RP-24EB	RP-24CF	RP-14EB	RP-14EB
Resistance	E24,E96	E24	E24,E96	E24	E24,E96	E24	E24,E96	E24
TCR	±25ppm	±50ppm	±25ppm	±50ppm	±25ppm	±50ppm	±25ppm	±50ppm
Tolerance	±0.1%	±1%	±0.1%	±1%	±0.1%	±1%	±0.1%	±1%
Marking	9092	103	9292N	103N	9092N 96	103N 96	9092N 96	103N 96
Tape Reel	NA	NA	3000pcs	3000pcs	2000pcs	2000pcs	NA	NA
Tape Box	NA	NA	2000pcs	2000pcs	2000pcs	2000pcs	NA	NA

RADIAL LEADS METAL FILM RESISTORS

RP-84, RP-44, RP-24, RP-14

Taping Dimensions

	Sym	RP-44	RP-24
Pitch, resistors	P	12.7±1.0	12.7±1.0
Pitch, send holes	Po	12.7±0.3	12.7±0.3
Gap tolerance, holes	P1,P2	3.85±0.5	2.6±0.5
		6.35±1.3	6.35±1.3
Pitch, lead wires	F1,F2	5.0±0.3	7.5±0.3
Fall resistor	Δh	0±2.0	0±2.0
Tape width	W	18.0±0.5	18.0±0.5
Tolerance, tape width	W1	9.0±0.75	9.0±0.75
Bottom of resistor	H	19.0±1.0	19.0±1.0
Top of resistor	H1	25.0 以下	26.0 以下
Hole diameter	Do	4.0φ±0.2	4.0φ±0.2
Thickness of tape	t	0.5±0.2	0.5±0.2

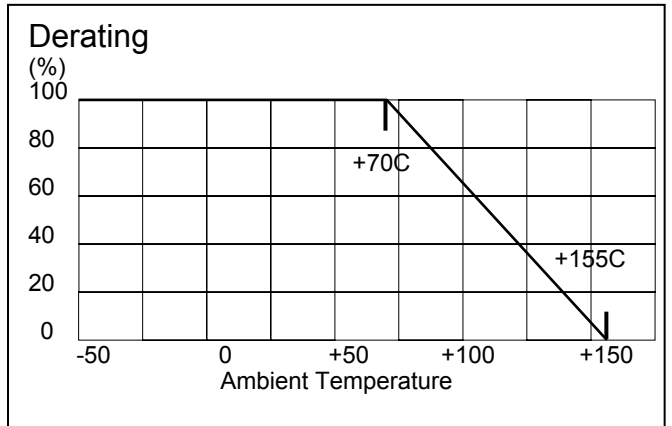


Taping Specification
Tape Folded, Type (- -2)

Color code (A- -)

Color	1 st	2 nd	Multiplier
BLACK	0	0	1
BROWN	1	1	10
RED	2	2	100
ORANGE	3	3	1000
YELLOW	4	4	10000
GREEN	5	5	100000
BLUE	6	6	1000000
PURPLE	7	7	10000000
GRAY	8	8	
WHITE	9	9	

Lead Forming (-1-)



Note(1): As for marking specifications of RL type and RT type, call factory.
 Note(2): Zero Ohm resistor that are used for jumper are available.