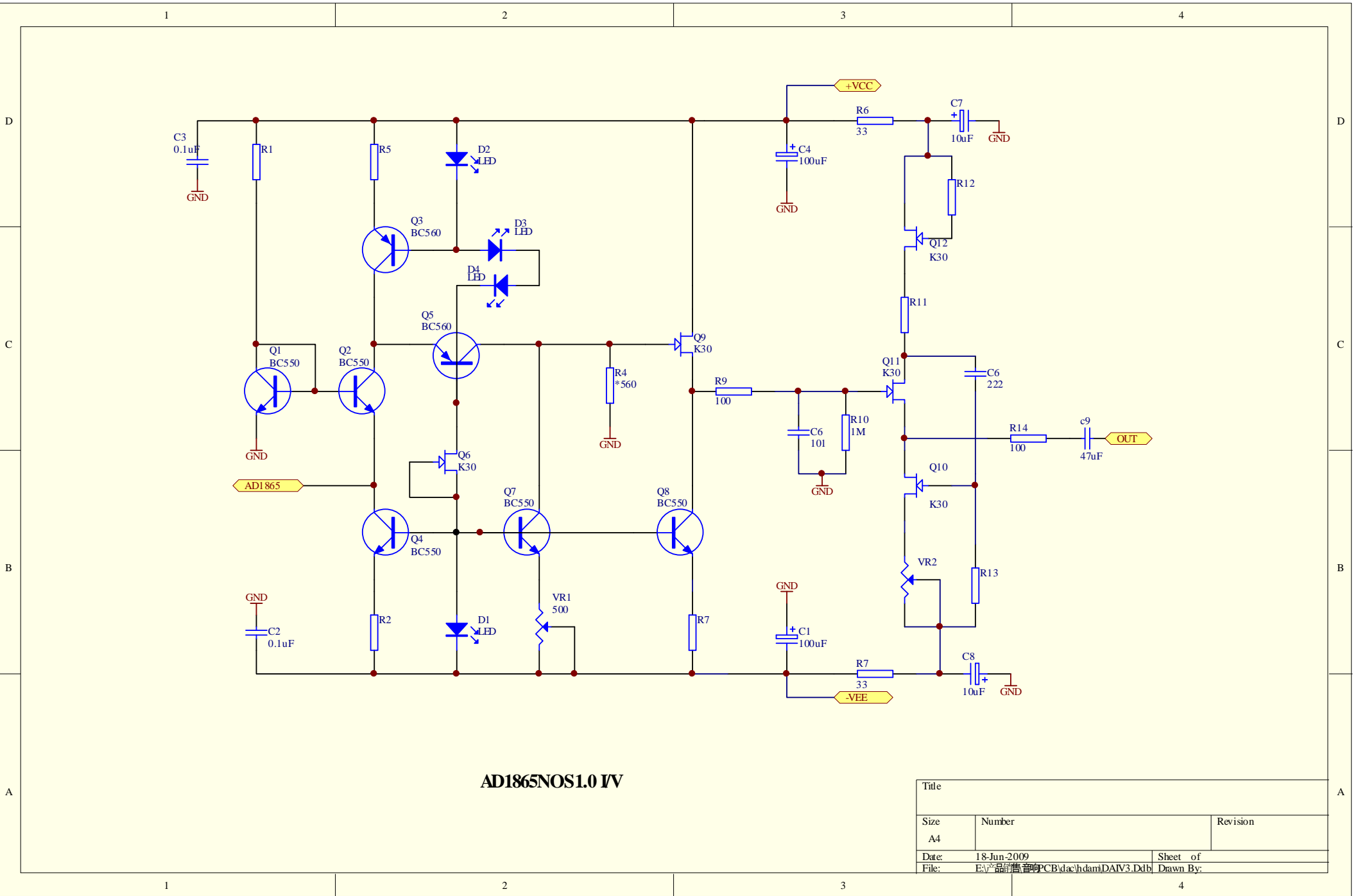
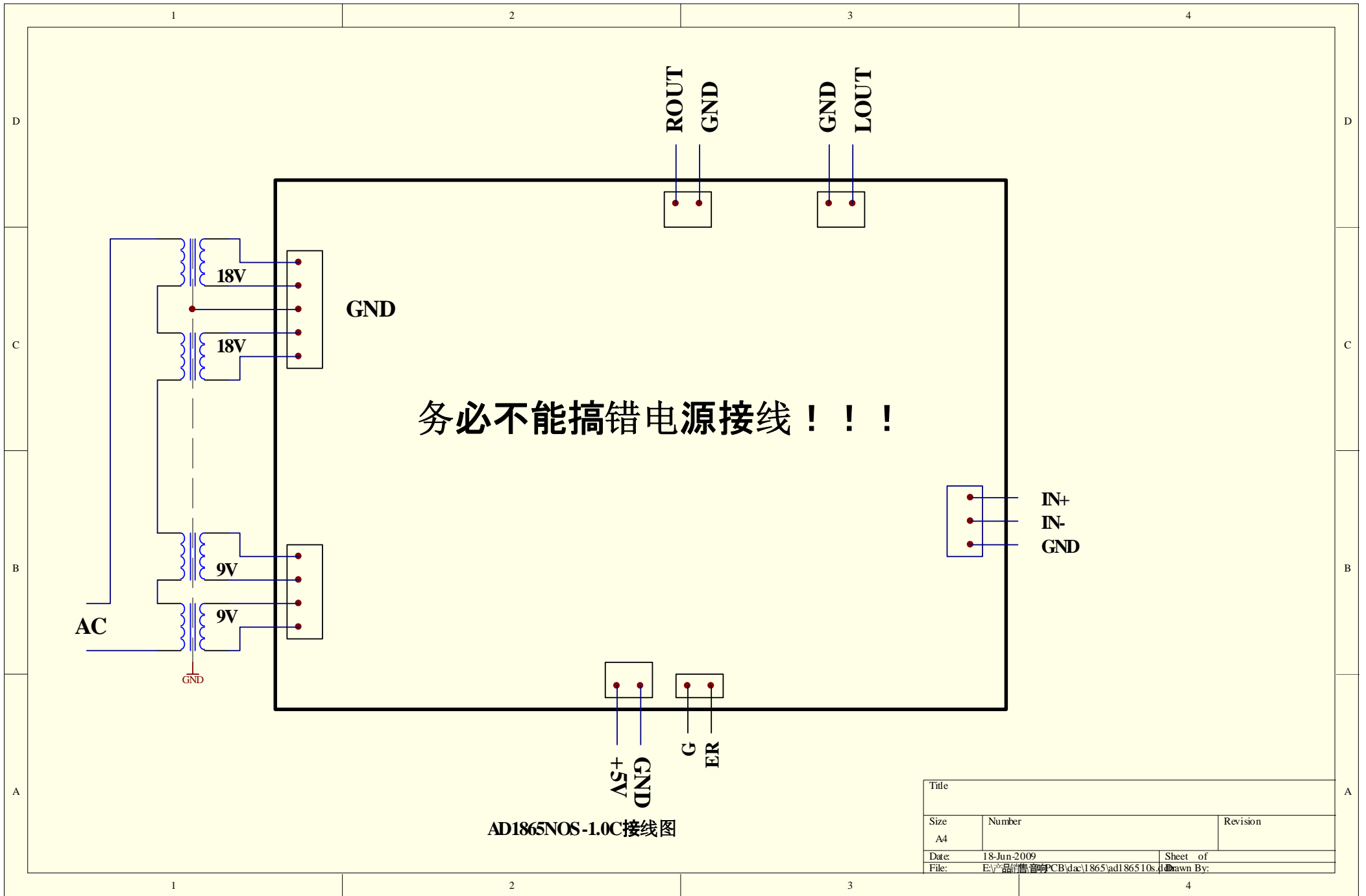


AD1865NOS-1.0C DCSCCH

Title		
Size	Number	Revision
Date	18-Jun-2009	Sheet of
File:	E:\2009\新機\PCB\ad1865\ad186510s.dwg	Drawn By:





AD1865NOS-1.0C接线图

Title		
Size	Number	Revision
A4		
Date:	18-Jun-2009	Sheet of
File:	E:\产品\销售\PCB\dac\1865\ad186510s.dwg Drawn By:	