

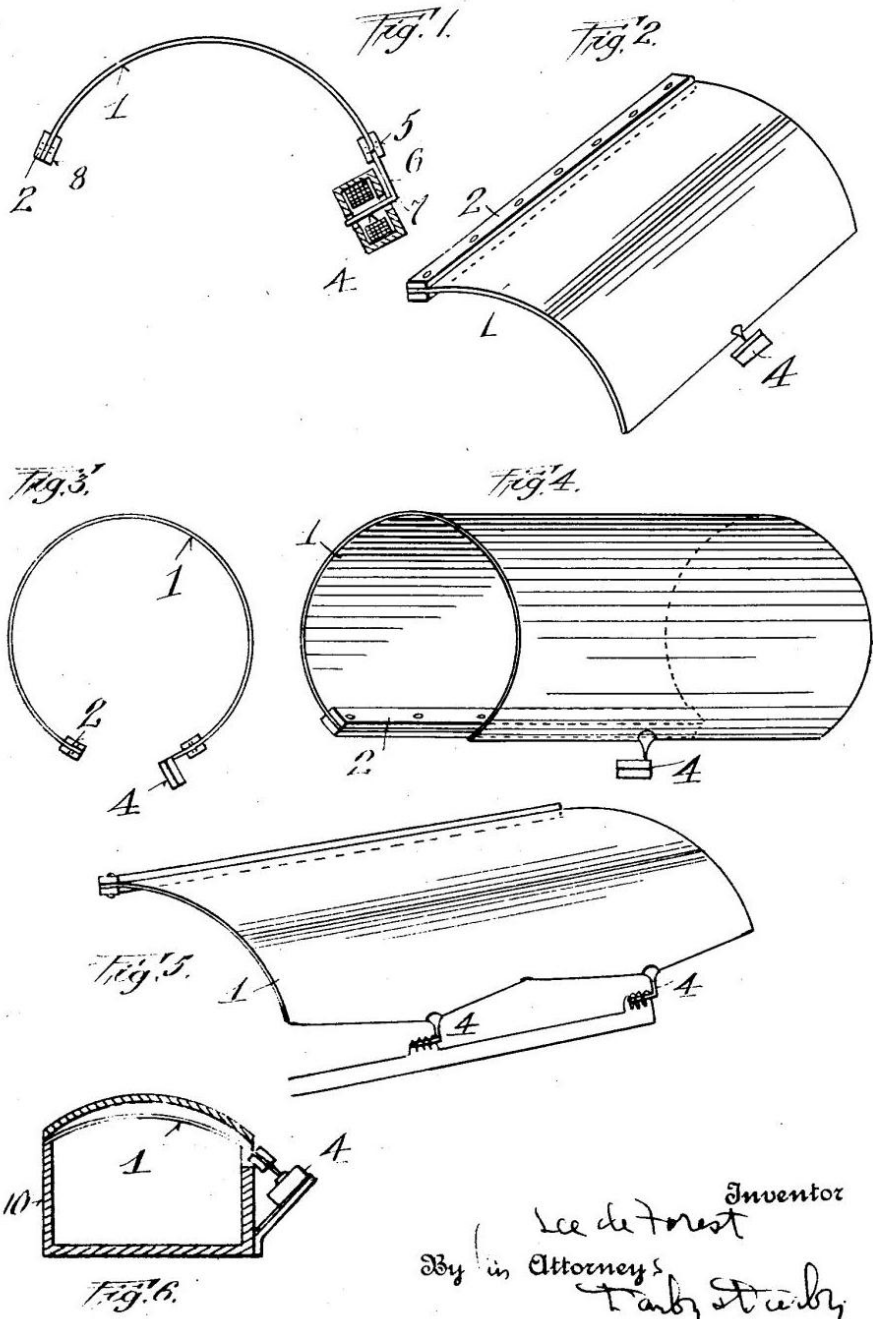
Nov. 3, 1925.

1,560,502

L. DE FOREST
SOUND REPRODUCING DEVICE

Filed Jan. 15, 1925

2 Sheets-Sheet 1



Inventor
Lee de Forest
By *[Signature]* in Attorney's
[Signature]

Fig. 7.

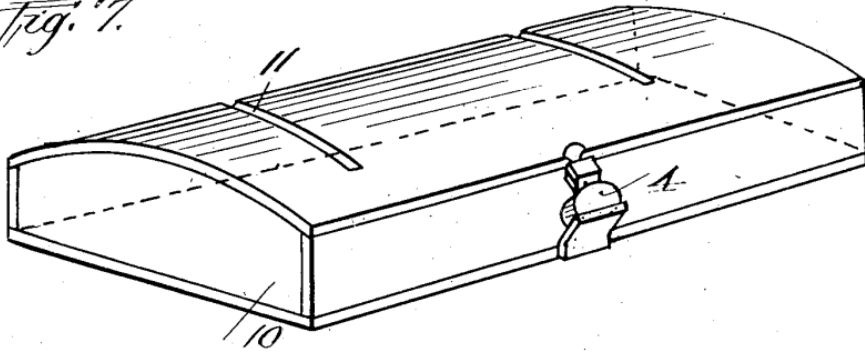


Fig. 8.

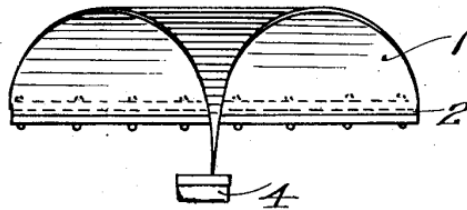
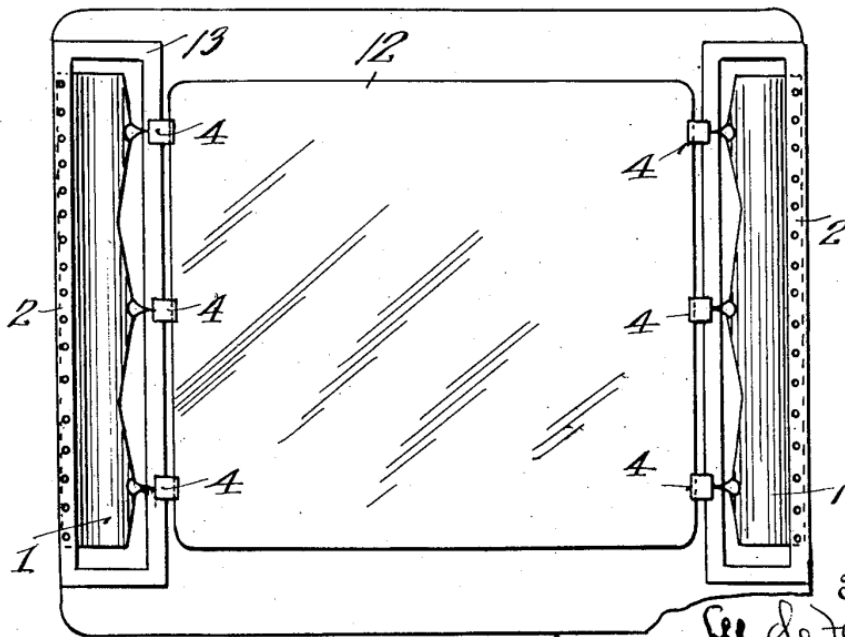


Fig. 9.



Inventor

See de Forest

By his Attorneys

Warby & Warby